

Jøtul I 320 FRL



ACCESSORIES

30064761 Jøtul I 320 FRL (lifting door)

Additional accessories:

- 51052596** Convection air grids (2 pcs.)
- 50052620** Heat-accumulating stones Ø150 mm
- 50054150** Fresh air box for bottom (outside Ø115/120 mm - inside Ø105/100 mm)
- 50054934** Ash container kit with grate
- 50054935** Handling kit
- 50055227** Detachable handle kit for lifting door
- 50059023** Adjustable legs, 190 mm
- 50063554** Convection cover/heat shield
- 50063556** Frame 2, 90 degrees bent, top/back/bottom
- 50063560** Frame 6, 90 degrees bent, top/back/bottom, narrow

Jøtul I 320 FRL

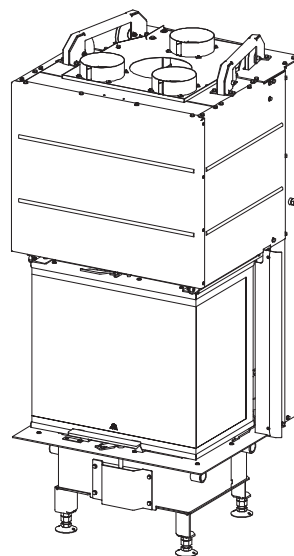
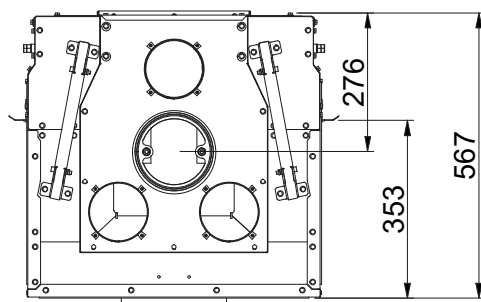
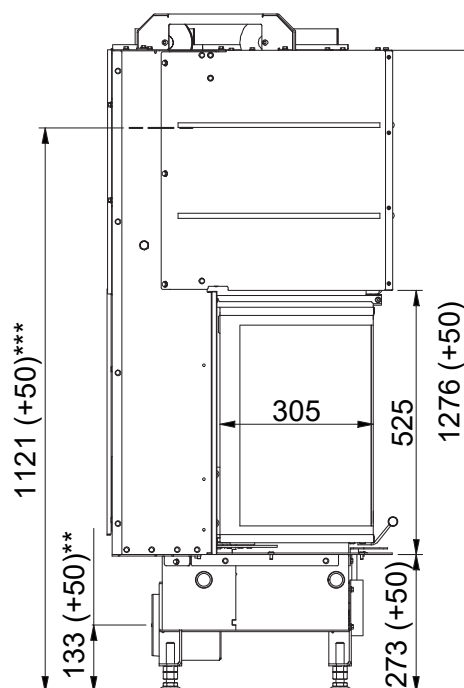
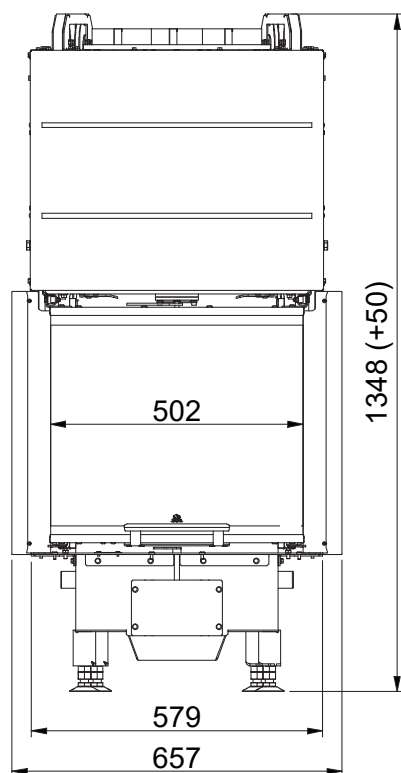


Since 1853

ACCESSORIES

30064761

Jøtul I 320 FRL (lifting door)



All distances are in mm.

** Connection of fresh-air intake - inside measure: $\varnothing 108$ mm - outside measure: $\varnothing 125$ mm

*** Height to the beginning of flue connecting piece at top/rear outlet,
flue conn. piece - inside measure: $\varnothing 132$ mm - outside measure: $\varnothing 149$ mm

Jøtul I 320 FRL

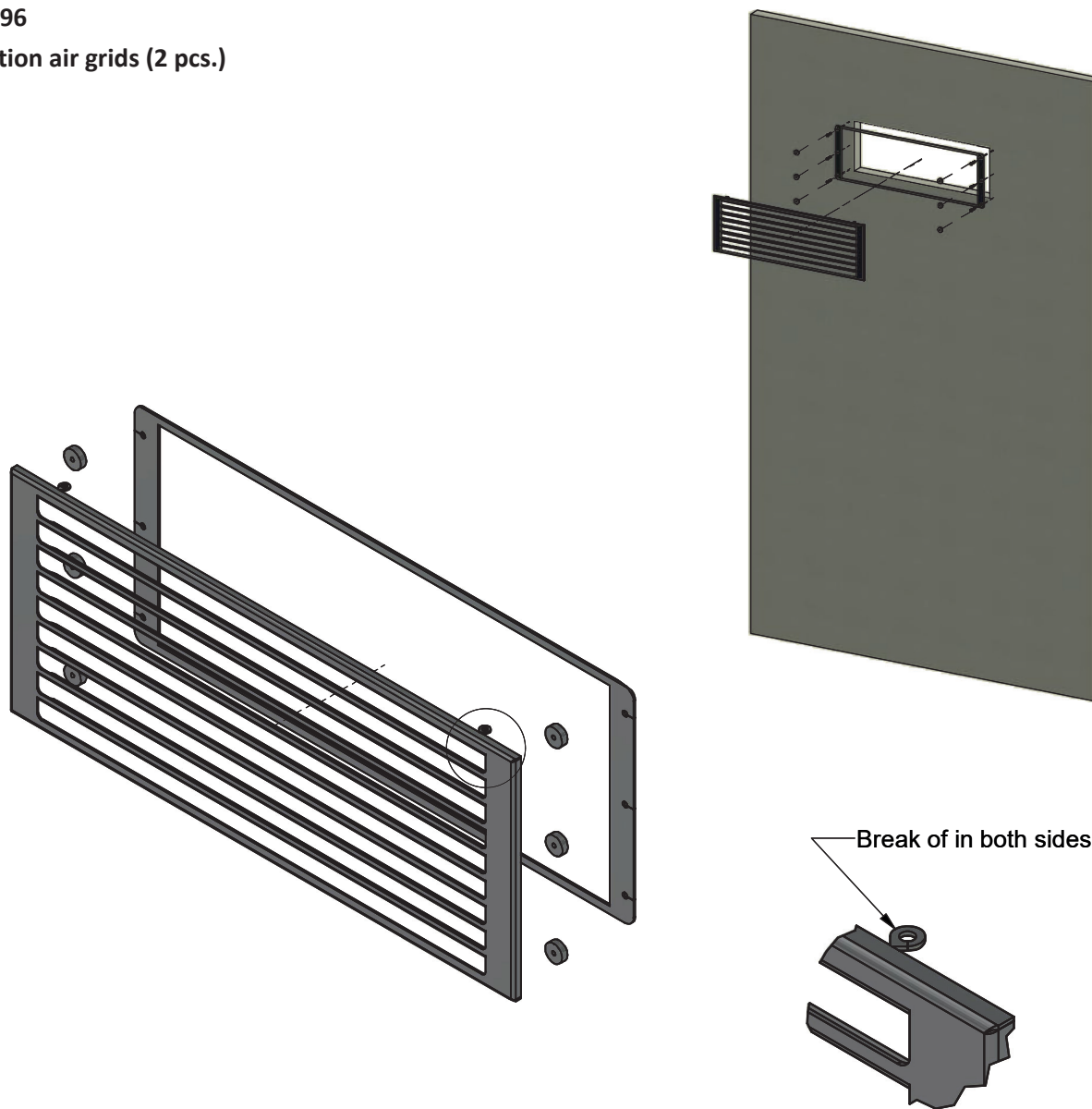


Since 1853

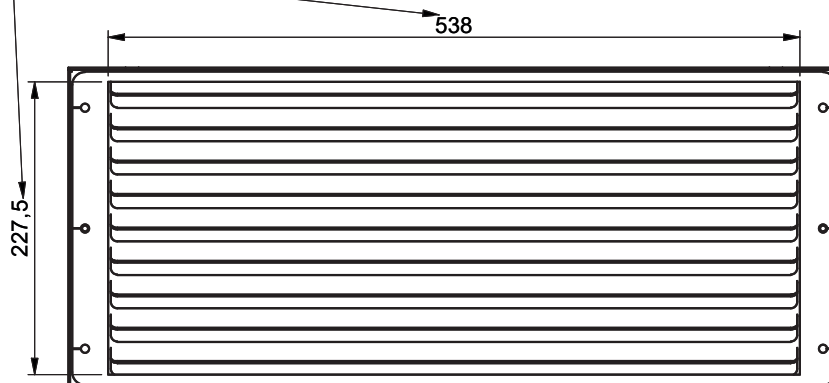
ACCESSORIES

51052596

Convection air grids (2 pcs.)



Size of hole in wall



Jøtul I 320 FRL



Since 1853

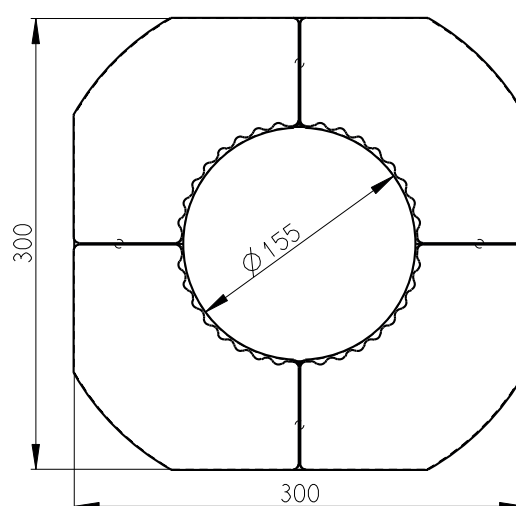
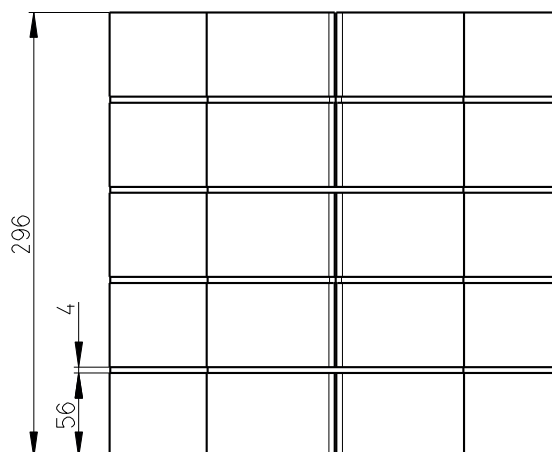
ACCESSORIES

50052620

Heat-accumulating stones Ø150 mm

Heat-storage stones are made from a special material with a high heat capacity. The stones are heated when the stove is on, re-releasing heat once it is off. This extends the time over which the stove remains warm.

70 kg



Jøtul I 320 FRL



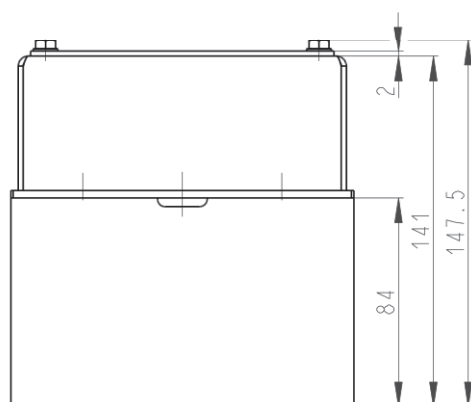
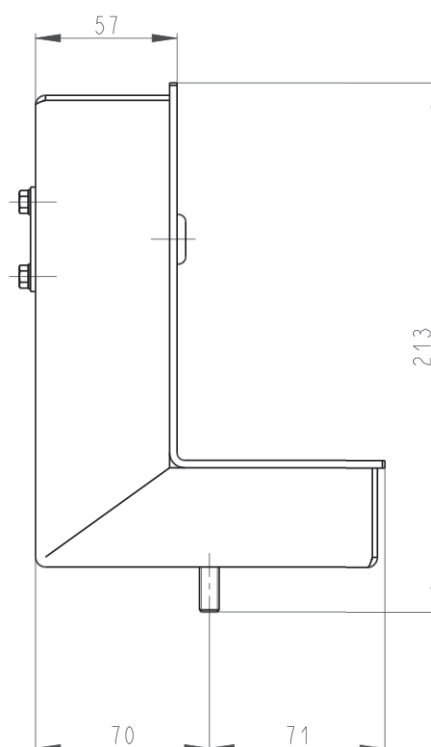
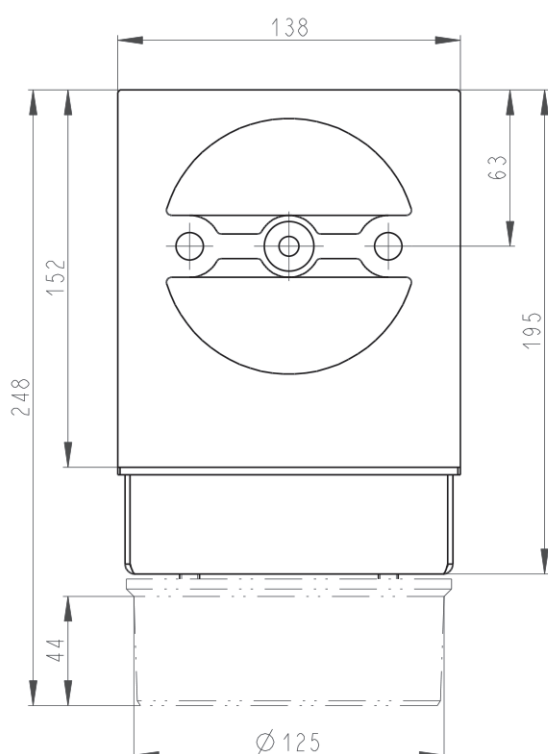
Since 1853

ACCESSORIES

50054150

Fresh air box for bottom

(outside $\varnothing 115/120$ mm - inside $\varnothing 105/100$ mm)



Jøtul I 320 FRL

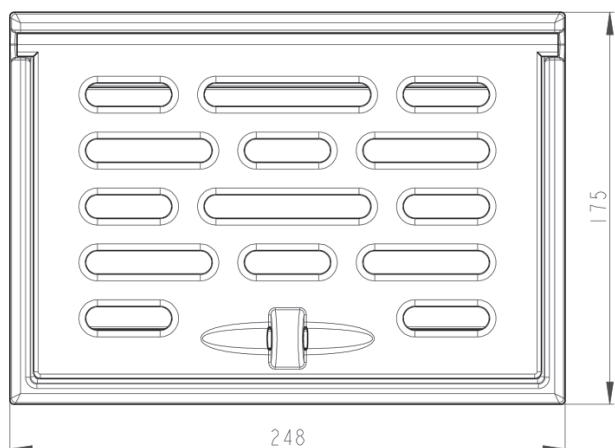
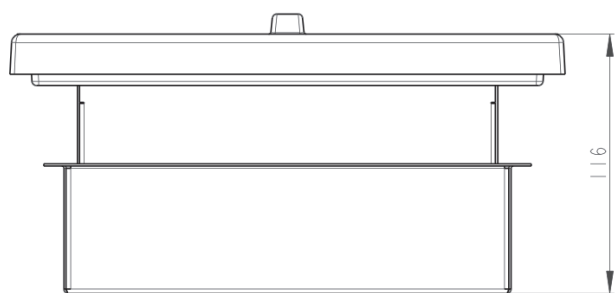
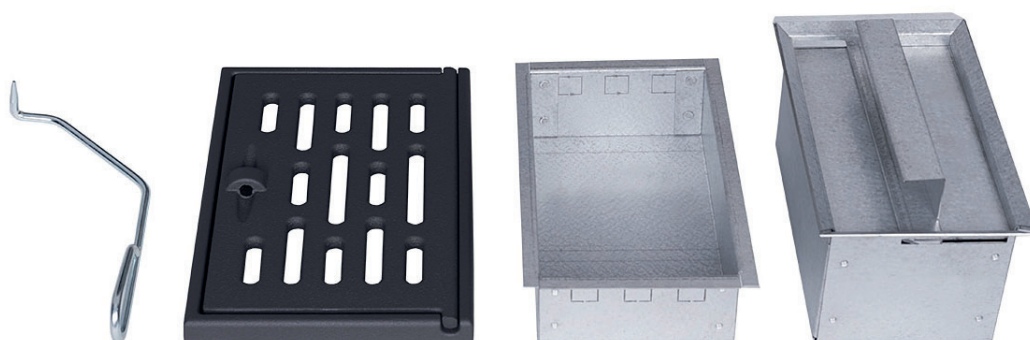


Since 1853

ACCESSORIES

50054934

Ash container kit with grate



Jøtul I 320 FRL

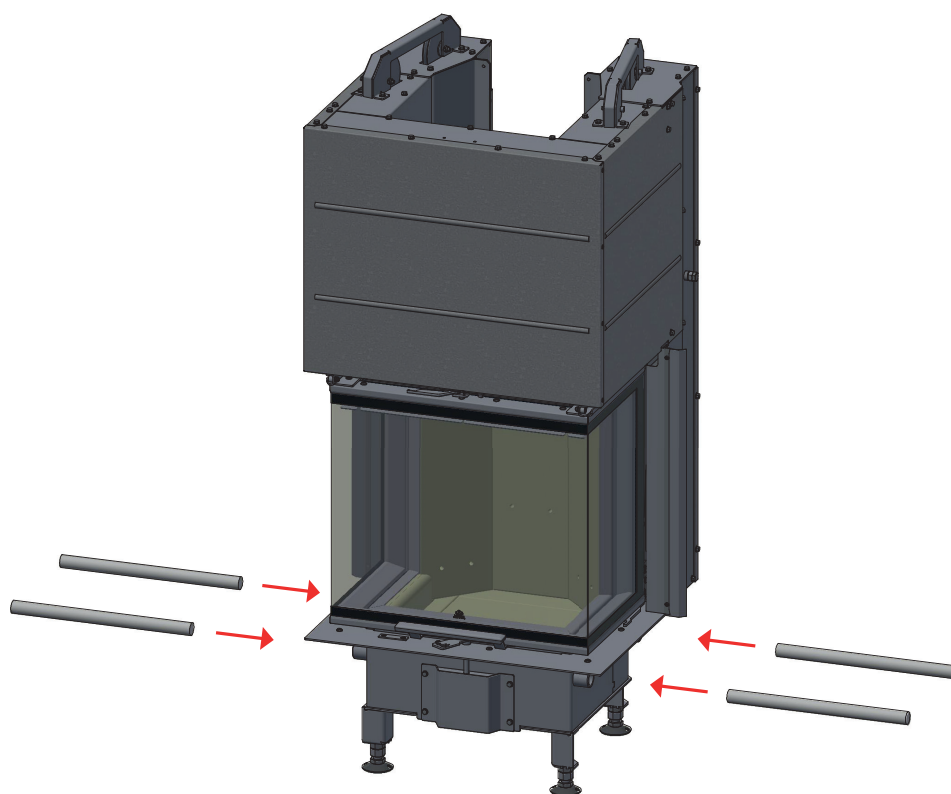


Since 1853

ACCESSORIES

50054935

Handling kit



Jøtul I 320 FRL

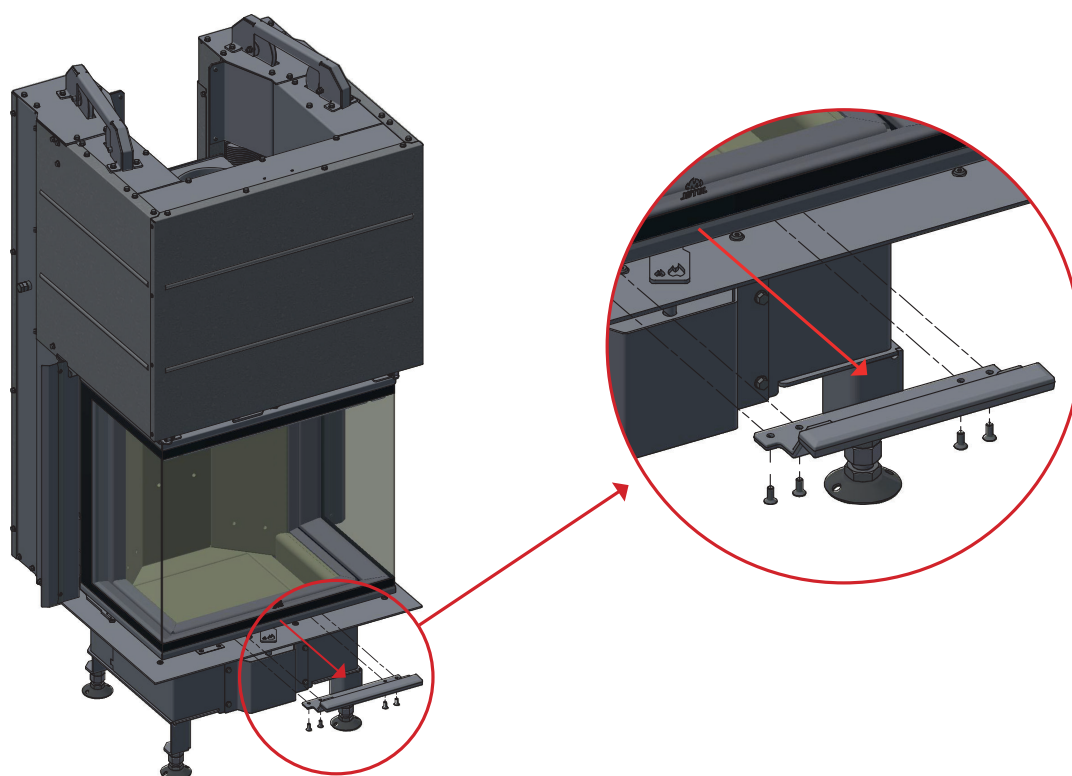


Since 1853

ACCESSORIES

50055227

Detachable handle kit for lifting door



Jøtul I 320 FRL

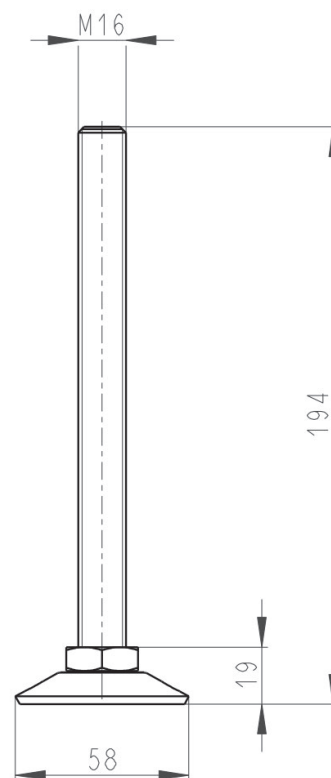
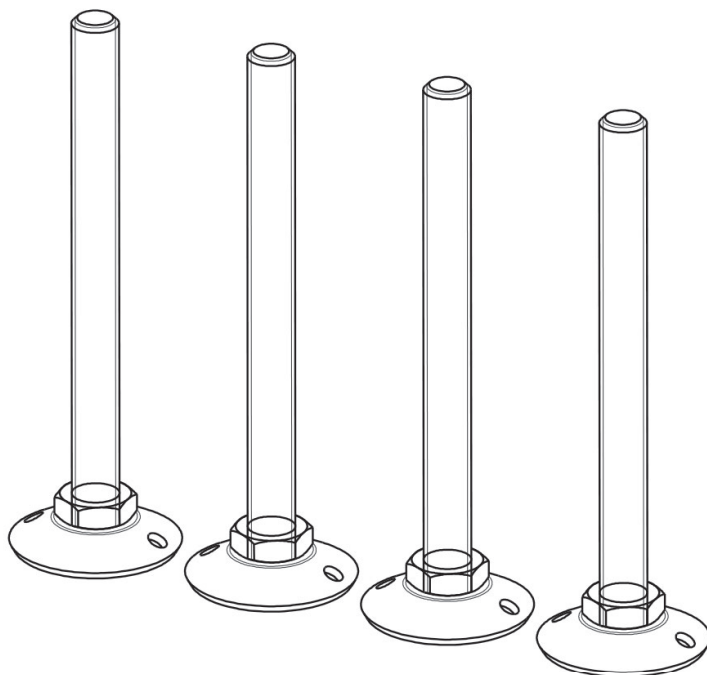


Since 1853

ACCESSORIES

50059023

Adjustable legs, 190 mm



Jøtul I 320 FRL

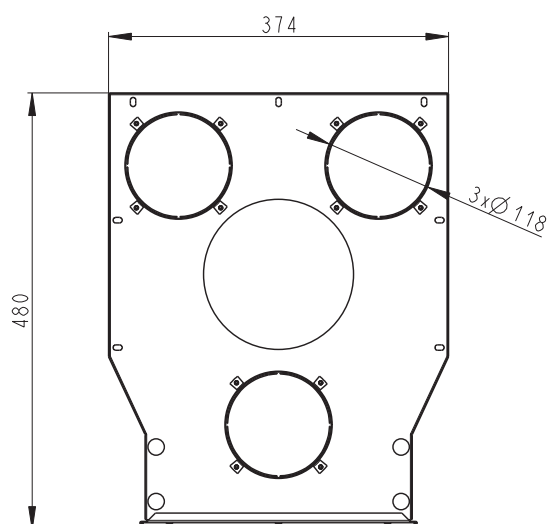
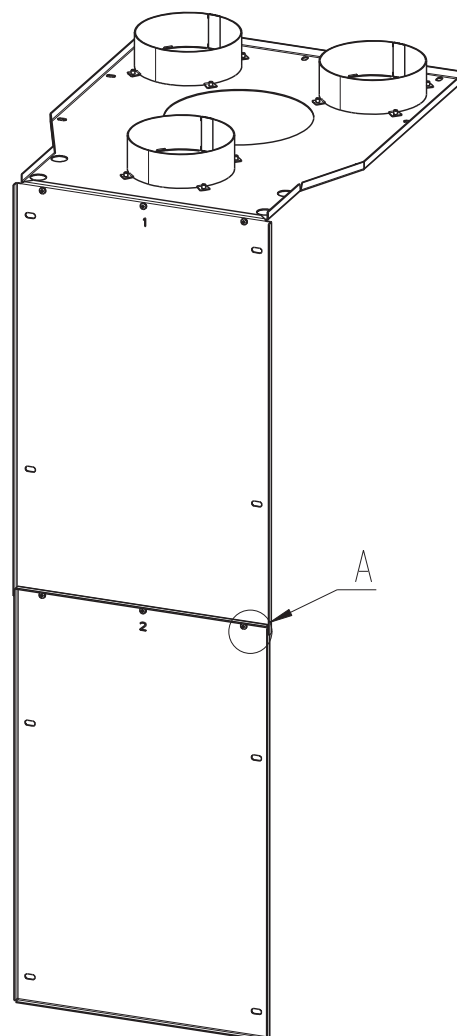
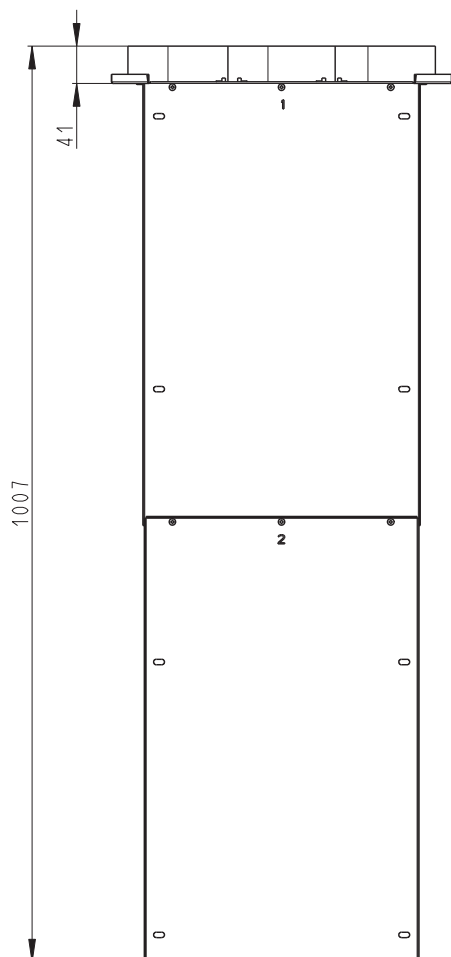


Since 1853

ACCESSORIES

50063554

Convection cover/heat shield



Jøtul I 320 FRL

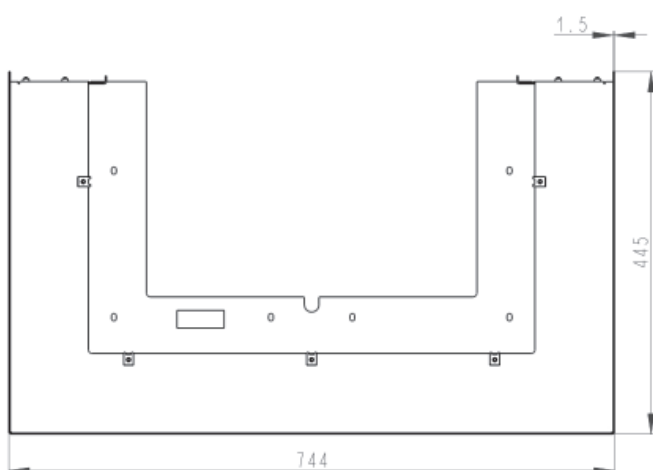
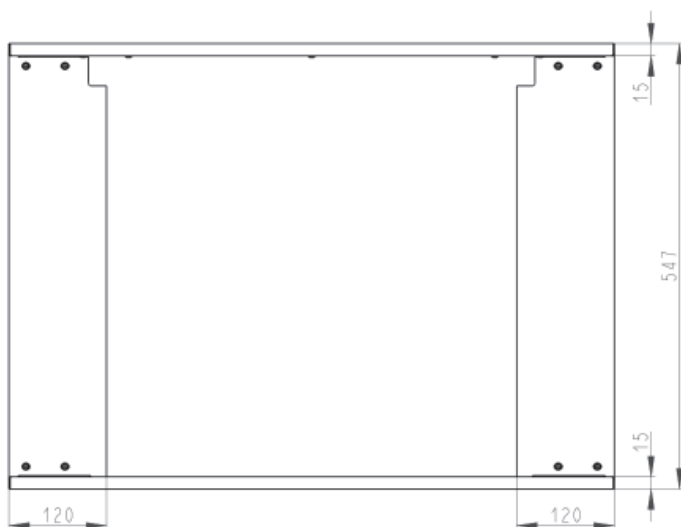
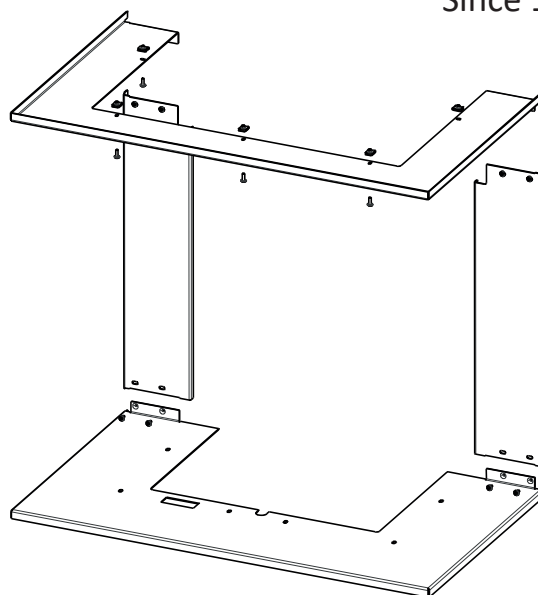


Since 1853

ACCESSORIES

50063556

Frame 2, 90 degree bent, top/back/bottom



Jøtul I 320 FRL



Since 1853

ACCESSORIES

50063560

Frame 6, 90 degree bent, top/back/bottom, narrow

