

Nomenclature des pièces détachées / Exploded view

JØTUL PF 501

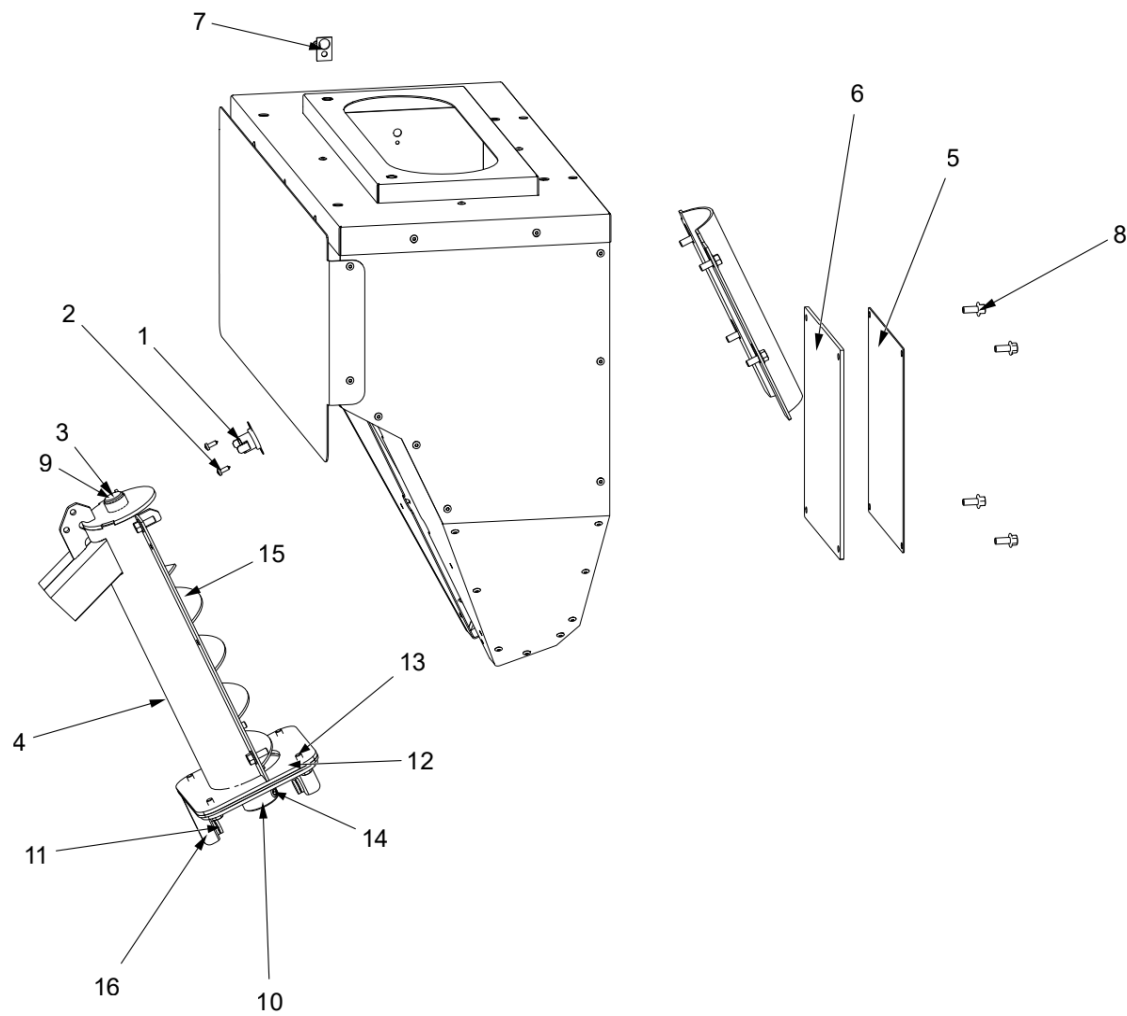


N°	CODICE	DESCRIZIONE IT	DESCRIZIONE EN
0	03B00042A	PORTA COMPLETA	DOOR ASSEMBLY
1	03C00002S-BGK	TELAIO PORTA SALDATO	WELDED DOOR FRAMEWORK
2	70B00019N	VETRO PIANO CERAMICO SERIGRAFATO 304x378x4	SCREEN PRINTED CERAMIC FLAT GLASS 304x378x4
3	11C00043N	DEFLETTORE PULIZIA VETRO	GLASS CLEANING DEFLECTOR
4	NE1015	VITE TBEI FL10,9 M5X10 GR F/R ISO 7380-2 ZN NERA	HEX SOCKET HEAD SCREW FL10.9 M5X10 GR F/R ISO 7380
5	NE1285	DADO M5 UNI 5588 ZN NERO	NUT M5 UNI 5588 ZN BLACK
6	03G00006N	PULIZIA VETRO	GLASS CLEANING
7	44061-R	TRECCIA TRICOVET GRIGIA D.16	GREY TRICOVET BRAID D.16
7	44061-R1	TRECCIA TRICOVET GRIGIA D.16	GREY TRICOVET BRAID D.16
8	44064-R	NASTRO DI VETRO TRICOTEE 8X3	TRICOTEE GLASS TAPE 8X3
8	44064-R1	NASTRO DI VETRO TRICOTEE 8X3	TRICOTEE GLASS TAPE 8X3
9	1800-00-052-R	NASTRO DI VETRO TRICOTEE 20X3	TRICOTEE GLASS TAPE 20X3
9	1800-00-052-R1	NASTRO DI VETRO TRICOTEE 20X3	TRICOTEE GLASS TAPE 20X3

Nomenclature des pièces détachées / Exploded view

**JØTUL PF 501**





Nomenclature des pièces détachées / Exploded view

JØTUL PF 501

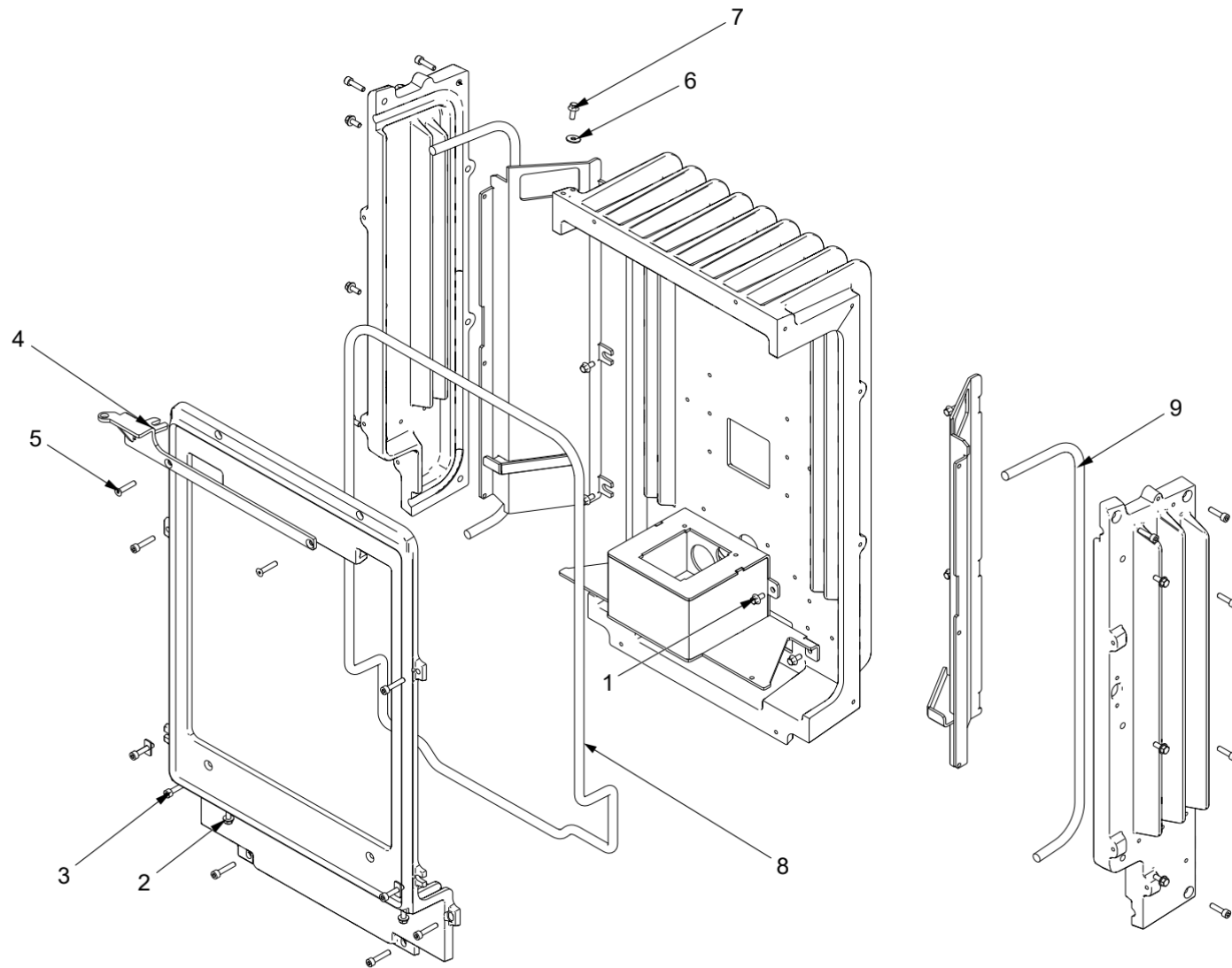


N°	CODICE	DESCRIZIONE IT	DESCRIZIONE EN
0	08X00109A	TRAMOGGIA E CARICAMENTO PELLET	HOPPER AND PELLET LOADING
1	PNEH00009	TERMOSTATO CAMPINI Ty60-A T 100°C RIARMO AUT.	CAMPINI THERMOSTAT Ty60-A T 100°C AUTOMATIC RESET
2	NE1079	VITE AUTOFILET.3.9X9,5 DIN7981	SELF-TAPPING SCREW 3.9X9.5 DIN7981
3	NE1236	VITE AUTOFORMANTE TE FL. M5x12 FOSFATATA NERA DIN7500	SELF-TAPPING HEX HEAD SCREW FL. M5x12 PHOSPHATED BLACK DIN7
4	05C00002A	COCLEA ASSEMBLATA 250	ASSEMBLED AUGER 250
5	2700-00-031	ISPEZIONE TRAMOGGIA	HOPPER INSPECTION
6	40A00121N	GUARNIZIONE	GASKET
7	PNSS00001	PRESA DI PRESSIONE	PRESSURE PLUG
8	NE1188	VITE TE FL. M5X12 DIN 6921	HEX HEAD SCREW FL. M5X12 DIN 6921
9	66094	BOCCOLA HIMON TFF 161812 MUEO	HIMON BUSHING TFF 161812 MUEO
10	66139	BUSSOLA MOTORIDUTTORE	GEARMOTOR BUSH
11	66140	GOMMINO PARACOLPI 2 ANELLI	SHOCK ABSORBER RUBBER 2 RINGS
12	44000	GOMMA DISTANZIALE	SPACER RUBBER
13	NE1236	VITE AUTOFORMANTE TE FL. M5x12 FOSFATATA NERA DIN7500	SELF-TAPPING HEX HEAD SCREW FL. M5x12 PHOSPHATED BLACK DIN7
14	NE1066	GRANO PUNTA CONICA 45° 8X16 UNI 5927	CONICAL TIP GRAIN 45° 8X16 UNI 5927
15	05C00004S	ALETTE	FLAPS
16	070-13-008N	PIASTRA MOTORIDUTTORE	GEARMOTOR PLATE

Nomenclature des pièces détachées / Exploded view

**JØTUL PF 501**





Nomenclature des pièces détachées / Exploded view

JØTUL PF 501

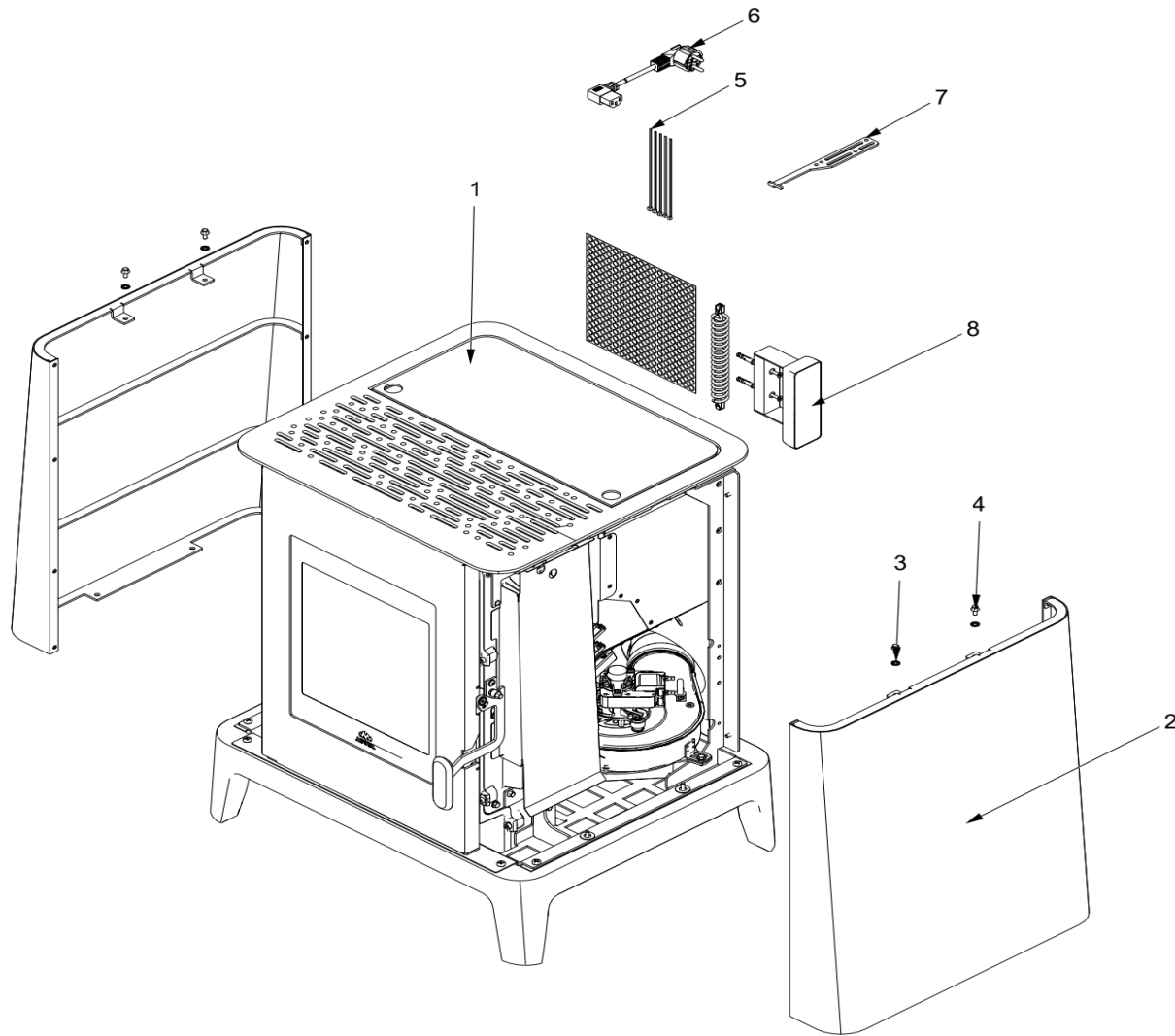


N°	CODICE	DESCRIZIONE IT	DESCRIZIONE EN
0	010-01-001A	ASSIEME CORPO MONTATO	MOUNTED BODY ASSEMBLY
1	NE1102	VITE TE FL. M5X10 DIN 6921 8.8	HEX HEAD SCREW FL. M5X10 DIN 6921 8.8
2	NE1236	VITE AUTOFORMANTE TE FL. M5x12 FOSFATATA NERA DIN7500	SELF-TAPPING HEX HEAD SCREW FL. M5x12 PHOSPHATED BLACK DIN.
3	NE1182	VITE TCEI M5X25 UNI5931 8.8	HEXAGON SOCKET HEAD CAP SCREW M5X25 UNI5931 8.8
4	010-06-001S-BLK	CERNIERA VERNICIATA	PAINTED HINGE
5	NE1039	VITE SV.EI PIANA M5X25 UNI5933	FLAT COUNTERSUNK HEX HEAD SCREW M5X25 UNI5933
6	NE1073	ROND. PIANA ZN 5X15 UNI6593	FLAT WASHER ZN 5X15 UNI6593
7	NE1188	VITE TE FL. M5X12 DIN 6921	HEX HEAD SCREW FL. M5X12 DIN 6921
8	014-66-002N-R	TRECCIA VETRO TRICOVET D10 GRIGIA	TRICOVET GLASS BRAID D10 GREY
8	014-66-002N-R1	TRECCIA VETRO TRICOVET D10 GRIGIA	TRICOVET GLASS BRAID D10 GREY
9	014-66-002N-R	TRECCIA VETRO TRICOVET D10 GRIGIA	TRICOVET GLASS BRAID D10 GREY
9	014-66-002N-R1	TRECCIA VETRO TRICOVET D10 GRIGIA	TRICOVET GLASS BRAID D10 GREY

Nomenclature des pièces détachées / Exploded view

**JØTUL PF 501**





Nomenclature des pièces détachées / Exploded view

JØTUL PF 501



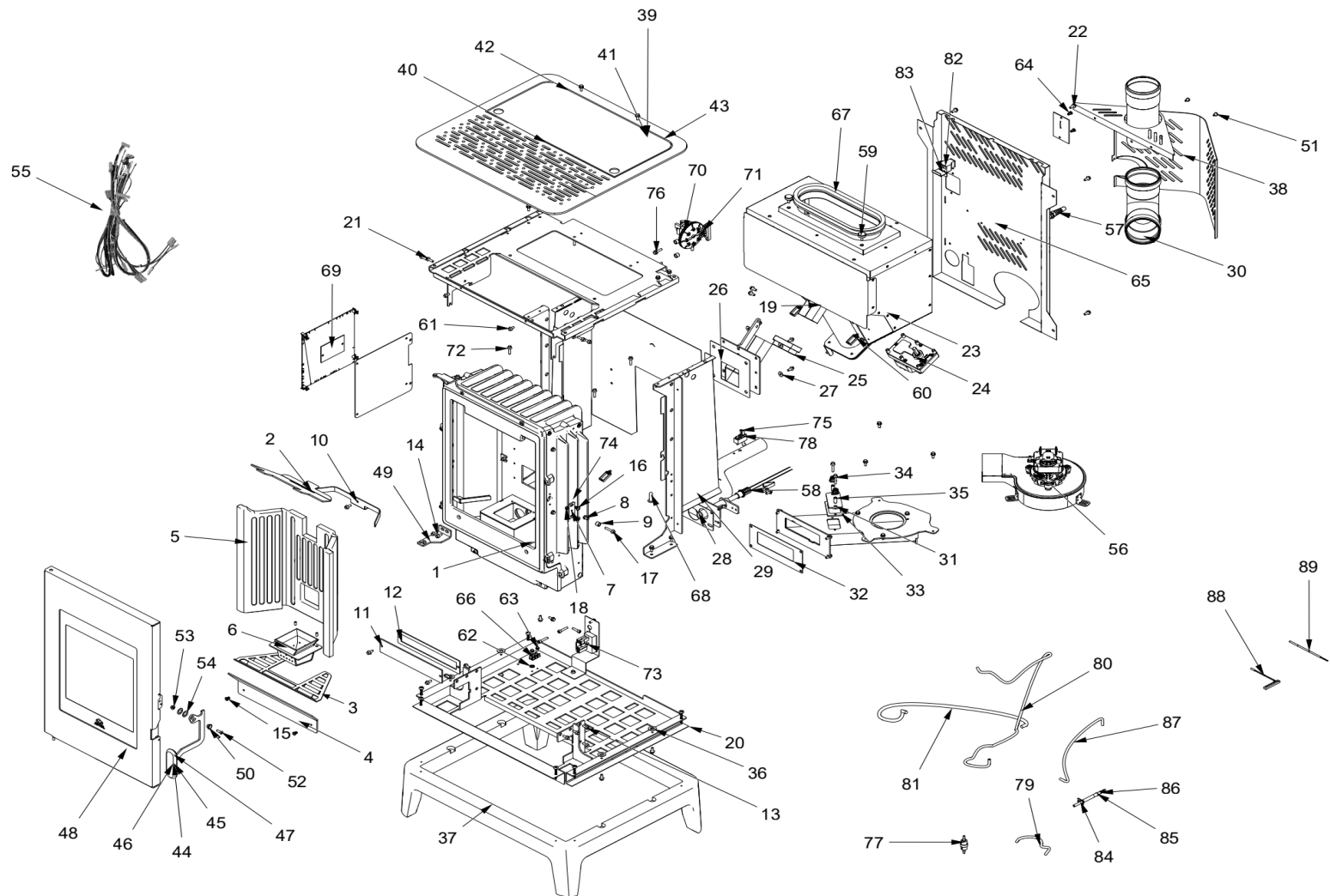
N°	CODICE	DESCRIZIONE IT	DESCRIZIONE EN
0	10018BJ01_A	PF501	PF501
1	Z0056AZ01	Z STRUTTURA PF500 M31	Z STRUCTURE PF500 M31
2	10B00017S-BPK	FIANCO ESTETICO	AESTHETIC SIDE
2	10B00017S-BRC	FIANCO ESTETICO	AESTHETIC SIDE
3	NE1385	ROND.DENTELLATA D.5 DIN6798A ZN-NERA	TOOTHED WASHER D.5 DIN6798A ZN-BLACK
4	NE1102	VITE TE FL. M5X10 DIN 6921 8.8	HEX HEAD SCREW FL. M5X10 DIN 6921 8.8
5	44009	FASCETTA STRINGITUBO CV140K	HOSE CLAMP CV140K
6	PNEF00004	SPINA SCHUKO CONN. IEC 90° H05RR-F 3x0,75 L=1200mm	SCHUKO PLUG CONN. IEC 90° H05RR-F 3x0.75 L=1200mm
7	23L00005N-BPK	ESTRATTORE JOTUL VERNICIATO	PAINTED JOTUL EXTRACTOR
8	K0125AZ00	KIT DISPLAY M31	M31 DISPLAY KIT

Nomenclature des pièces détachées / Exploded view

**JØTUL PF 501**







Nomenclature des pièces détachées / Exploded view

JØTUL PF 501



N°	CODICE	DESCRIZIONE IT	DESCRIZIONE EN
0	Z0056AZ01	Z STRUTTURA PF500 M3	Z STRUCTURE PF500 M3
1	010-01-001A	ASSIEME CORPO MONTATO	MOUNTED BODY ASSEMBLY
2	010-15-004N	TAGLIAFIAMMA	FLAME TRAP
3	010-00-007N-BLK	GRIGLIA VERNICIATA	PAINTED GRID
4	010-01-086N-BLK	SCIVOLO VERNICIATO	PAINTED RAMP
5	010-14-002A	KIT VERMICULITE "ARIA"	"AIR" VERMICULITE KIT
6	010-07-004S-BLK	ASS.CESTELLO VERNICIATO	PAINTED BASKET ASSEMBLY
7	010-01-042N-BLK	SPESSORE CHIUSURA PORTA VERN.	PAINT. DOOR CLOSURE THICKNESS
8	010-03-015N	BUSSOLA CHIUSURA	BUSH CLOSURE
9	3800-00-138	ROTELLA	WHEEL
10	010-15-003N	FERMA VERMICULITE	VERMICULITE HOLDER
11	010-11-007N	TAPPO	CUP
12	010-11-008N	GUARN CARTA SILCAWOOL SP.5	SILCAWOOL PAPER GASKET TH.5
13	NE1188	VITE TE FL. M5X12 DIN 6921	HEX HEAD SCREW FL. M5X12 DIN 6921
14	NE1188	VITE TE FL. M5X12 DIN 6921	HEX HEAD SCREW FL. M5X12 DIN 6921
15	NE1252	VITE AUTOFORMANTE SV.P.M5X10	SELF-TAPPING SCREW SV.P.M5X10
16	NE1015	VITE TBEI FL M5X10 ISO7380-2	HEX SOCKET HEAD SCREW FL M5X10 ISO7380-2
17	NE1277	VITE TE FL. M5X25 DIN 6921	HEX HEAD SCREW FL. M5X25 DIN 6921
18	NE1285	DADO M5 UNI5588 ZN NERO	NUT M5 UNI5588 ZN BLACK
19	NE1002	GRANO M5X10 CON ESLOOK P.PIAT.	GRUB SCREW M5X10 WITH ESLOOK P.FLAT
20	1800-00-052-R	NASTRO DI VETRO TRICOTEE 20X3	TRICOTEE GLASS TAPE 20X3
20	1800-00-052-R1	NASTRO DI VETRO TRICOTEE 20X3	TRICOTEE GLASS TAPE 20X3
21	NE1023	VITE TE FL. M5X16 DIN 6921	HEX HEAD SCREW FL. M5X16 DIN 6921
22	NE1236	VITE AUTOFORMANTE TE TF M5X12	SELF-TAPPING HEX HEAD SCREW TF M5X12
23	08X00109A	TRAMOGGIA E CARICAMENTO PELLETTA	HOPPER AND PELLET LOADING
24	PNEG00012	MOTORIDUTTORE 2rpm CW - 230V 50Hz con sensore di HALL	GEARMOTOR 2rpm CW - 230V 50Hz with HALL sensor
25	40B00006N	GUARNIZ.COCLEA SILICONE	SILICONE AUGER GASKET
26	010-11-010N	GUARN CARTA SILCAWOOL SP.5	SILCAWOOL PAPER GASKET TH.5
27	NE1073	ROND.PIANA ZN 5X15 UNI 6593	FLAT WASHER ZN 5X15 UNI 6593
28	010-11-009N	GUARN CARTA SILCAWOOL SP.5	SILCAWOOL PAPER GASKET TH.5
29	NE1146	VITE TE FL. M5X8 DIN 6921	HEX HEAD SCREW FL. M5X8 DIN 6921
30	050-66-001N	RACCORDO A T CON TAPPO SCARICO	T-FITTING WITH DRAIN CUP

Nomenclature des pièces détachées / Exploded view

**JØTUL PF 501**



31	010-11-049N	TAPPO	CUP
32	010-11-011N	GUARN CARTA SILCAWOOL SP.5	SILCAWOOL PAPER GASKET TH.5
33	070-11-049N	GUARNIZ.SILICONE	SILICONE GASKET
34	3000-00-092	MOLLA	SPRING
35	100-66-010N	BUSSOLA	BUSH
36	070-11-046N	RONDELLA COMPENSAZIONE	COMPENSATION WASHER
37	10H00030N	BASAMENTO LEGNO GRIGIO CENERE	ASH GREY WOOD BASEMENT
38	10K00029N-BPK	CARTER POSTERIORE	REAR CRANKCASE
39	10F00021A	TOP ASSEMBLATO	ASSEMBLED TOP
40	10F00038S-BGK	TOP SALDATO	WELDED TOP
41	10D00019S-BGK	COPERCHIO TRAMOGGIA	HOPPER COVER
42	NE1002	GRANO M5X10 ESLOOK P.PIATTA	GRAIN M5X10 ESLOOK P.FLAT
43	NE1236	VITE AUTOFORMANTE TE FL. M5x12 FOSFATATA NERA DIN7501	SELF-TAPPING HEX HEAD SCREW FL. M5x12 PHOSPHATED BLACK
44	06A00003A	MANIGLIA	HANDLE
45	06A00003S-BPK	STRUTTURA MANIGLIA	HANDLE STRUCTURE
46	06A00040N-BWG	IMPUGNATURA	GRIP
47	NE1195	VITE SV.EI PIANA M4X12 UNI5933	FLAT COUNTERSUNK HEX HEAD SCREW M4X12 UNI5933
48	03B00042A	PORTA COMPLETA	DOOR ASSEMBLY
49	010-06-007N-BLK	CERNIERA VERNICIATA	PAINTED HINGE
50	6400-00-004	BUSSOLA (KG.0,003)	BUSH (KG.0.003)
51	NE1220	VITE TE FL.4.8X9.5 UNI6950	HEX HEAD SCREW FL.4.8X9.5 UNI6950
52	NE1053	VITE SV.PIANA M5 x 16 UNI 5933	COUNTERSUNK FLAT SCREW M5 x 16 UNI 5933
53	NE1024	DADO FLANG.AUTOBL.M5 ISO7044	SELF-LOCK. FLANG.NUT M5 ISO7044
54	NE1153	ROND.ELAS.CONVES.D.10 DIN137A	CONVEX SPRING WASHER D.10 DIN137A
55	PNEC00097	CABLAGGIO PF500 M31	WIRING PF500 M31
56	PNEE00009	CAF15Y-156LS Estrattore fumi	CAF15Y-156LS Smoke extractor
57	PNEC00072	PIGTAIL PG7 CON CONTRODADO	PIGTAIL PG7 WITH LOCKNUT
58	04B00002N	CANDELETTA CERAMICA GRIGIA 230V - 280W	GREY CERAMIC SPARK PLUG 230V - 280W
59	06B00072N	MAGNETE SM36.3NI00.2060GM	MAGNET SM36.3NI00.2060GM
60	070-66-004N	CLIP FERMA CAVI INNESTO 19X11	COUPLING CABLE RETAINER CLIP 19X11

Nomenclature des pièces détachées / Exploded view

**JØTUL PF 501**



61	NE1102	VITE TE FL. M5X10 DIN 6921 8.8	HEX HEAD SCREW FL. M5X10 DIN 6921 8.8
62	NE1385	ROND.DENT.D.5 DIN 6798 NERA	TOOTHED WASHER D.5 DIN 6798 BLACK
63	PNVV00005	VITE AUTOF. TEFL M4x8 ZN NERA	SELF-TAPPING SCREW TEFL M4x8 ZN BLACK
64	PNVS00003	RIVETTO PLASTICA NERA 9x5,5 (9725AA01)	BLACK PLASTIC RIVET 9x5.5 (9725AA01)
65	10K00077N-BPK	GRIGLIA POSTERIORE M31 VERNIC.	REAR GRID M31 PAINT.
66	PNEH00004	LINGUETTA PER MESSA A TERRA	EARTHING TAB
67	PNGS00004	GUARNIZIONE TRAMOGGIA PF500 L=630	HOPPER GASKET PF500 L=630
68	40B00008N	CAPPUCCIO SILICONE KAP 204 4,50x15x25	SILICONE CAP KAP 204 4.50x15x25
69	PNEM00016	ASSIEME CENTRALINA [ ARIA ] + ANTENNA M31	CONTROL UNIT ASSEMBLY [ AIR ] + ANTENNA M31
70	PNEH00005	PRESSOSTATO HUBA CONTROL TYPE 605 - 10 Pa	HUBA CONTROL PRESSURE SWITCH TYPE 605 - 10 Pa
71	PNEB00002	CLIP PER PRESSOSTATO HUBA TYPE 605	CLIP FOR HUBA PRESSURE SWITCH TYPE 605
72	NE1028	VITE TE FL. M5X20 DIN 6921	HEX HEAD SCREW FL. M5X20 DIN 6921
73	55007-KIT	INTER.POLY SNAP BZ01001/S+FUSIB	INTER.POLY SNAP BZ01001/S+FUSIB
74	NE1402	DADO FLANG.CL.8 M5 ISO4161 ZNB	FLANGE NUT CL.8 M5 ISO4161 ZNB
75	NE1079	VITE AUTOFILET.3.9X9,5 DIN7981	SELF-TAPPING SCREW 3.9X9.5 DIN7981
76	NE1292	VITE AUTOFORMANTE TE FL. M5x20 FOSFATATA NERA DIN7501	SELF-TAPPING HEX HEAD SCREW FL. M5x20 PHOSPHATED BLACK
77	PNSS00005	FILTRO ARIA 240 micron PER SCHEDA M31	AIR FILTER 240 microns FOR M31 BOARD
78	PNSS00002	SONDA AD ANGOLO IN RYTON ( cod. N991001270 )	RYTON CORNER PROBE ( code N991001270 )
79	PNGS00005	TUBO SILICONE ROSSO Ø6 est. x Ø3,5 int - lg = 200 mm	RED SILICONE PIPE Ø6 ext. x Ø3.5 int - lg = 200 mm
80	PNGS00006	TUBO SILICONE BIANCO Ø6 est. x Ø3,5 int - lg = 500 mm	WHITE SILICONE PIPE Ø6 ext. x Ø3.5 int - lg = 500 mm
81	44006	TUBO SILICONE BIANCO Ø8est. x Ø5 int - lg = 600 mm	WHITE SILICONE TUBE Ø8ext. x Ø5 int - lg = 600 mm
82	PNEC00104	SDOPPIATORE TELEFONICO RJ12 ( ELCART art. 40/25510-00 )	TELEPHONE SPLITTER RJ12 ( ELCART art. 40/25510-00 )
83	11J00198N	SUPPORTO SPLITTER DISPLAY	DISPLAY SPLITTER SUPPORT
84	PNSS00001	PRESA DI PRESSIONE	PRESSURE PLUG
85	44006	TUBO SILICONE BIANCO Ø8xØ5 L=50 mm.	WHITE SILICONE TUBE Ø8xØ5 L=50 mm.
86	PNSS00006	RACCORDO PORTAGOMMA 6-8 ( cod. QDPG0604 / NM )	RUBBER FITTINGS 6-8 ( code QDPG0604 / NM )
87	PNGS00005	TUBO SILICONE ROSSO Ø6 est. x Ø3,5 int - lg = 200 mm	RED SILICONE PIPE Ø6 ext. x Ø3.5 int - lg = 200 mm
88	PNES00008	SONDA AMBIENTE NTC, L=1000mm CON CONNETTORE STOCKO	NTC ROOM PROBE, L=1000mm WITH STOCKO CONNECTOR
89	PNES00009	SONDA FUMI J, L=1000mm SENZA CONNETTORE	FLUE GAS PROBE J, L=1000mm WITHOUT CONNECTOR

Nomenclature des pièces détachées / Exploded view

**JØTUL PF 501**

