

Jøtul FS 320 FRL



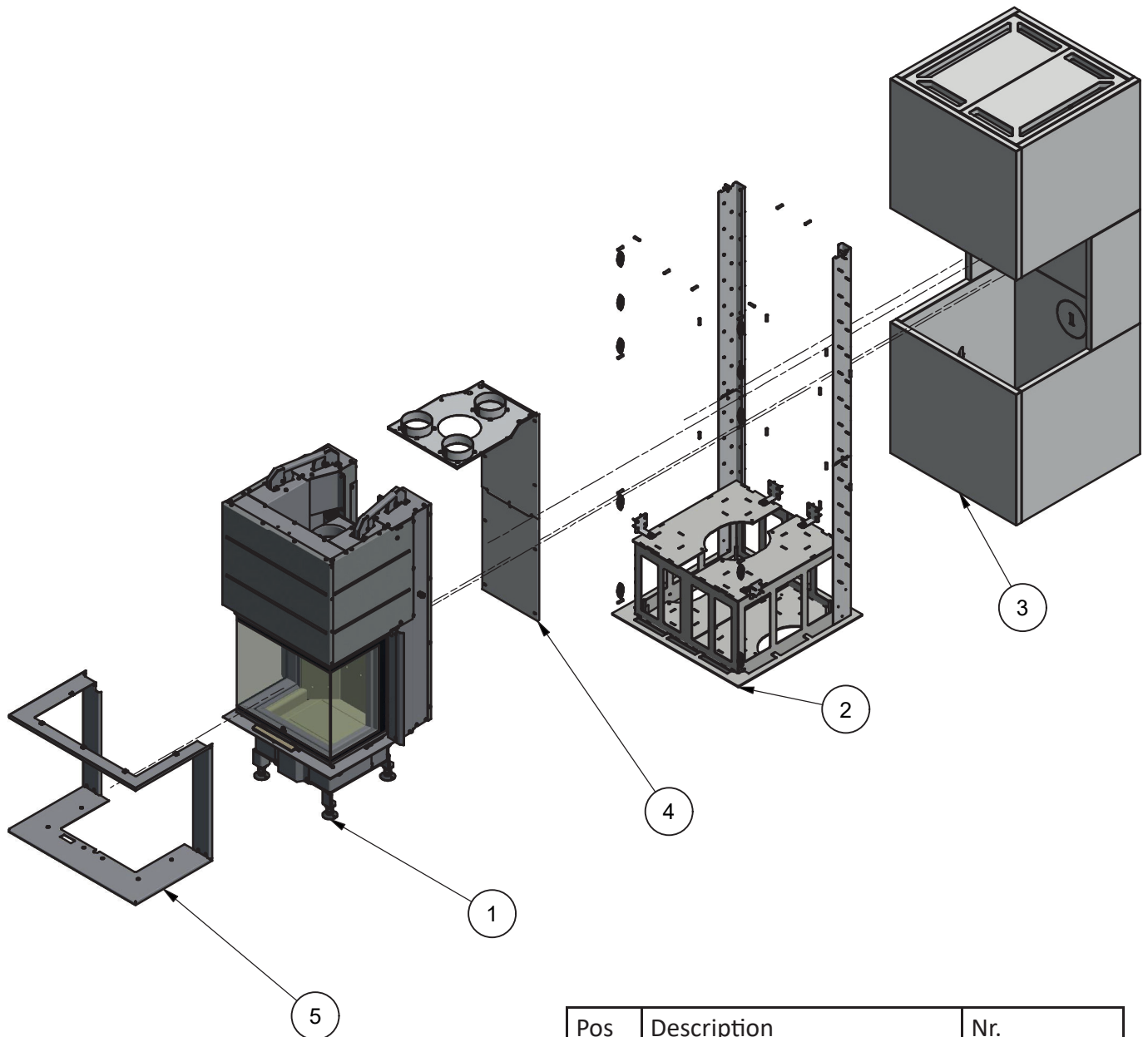
Since 1853

SPARE PARTS

Spare parts Jøtul 320 FRL			
Spare part no.	Market name	M3.no	
1	Screw assortment for SC 5000 series	12061534	-
2	Chamotte chamber set	50063564	153F 2010 001
3	Handle set	50064941	-
4	Front glass 4x502x463	50064862	-
5	Side glass 4x301x463	50063567	632 999 301 463
6	Glass gasket 15x4 mm, type 7226/5/0/0 - black, 3 m.	50052729	341 414 015 004
7	Door gasket, 3,1 m.	50063568	341 414 015 009
8	Spray black, 400 ml	50053535	-
9	Convect.Cover I320/5008	50063554	

Jøtul FS 320 FRL

SPARE PARTS



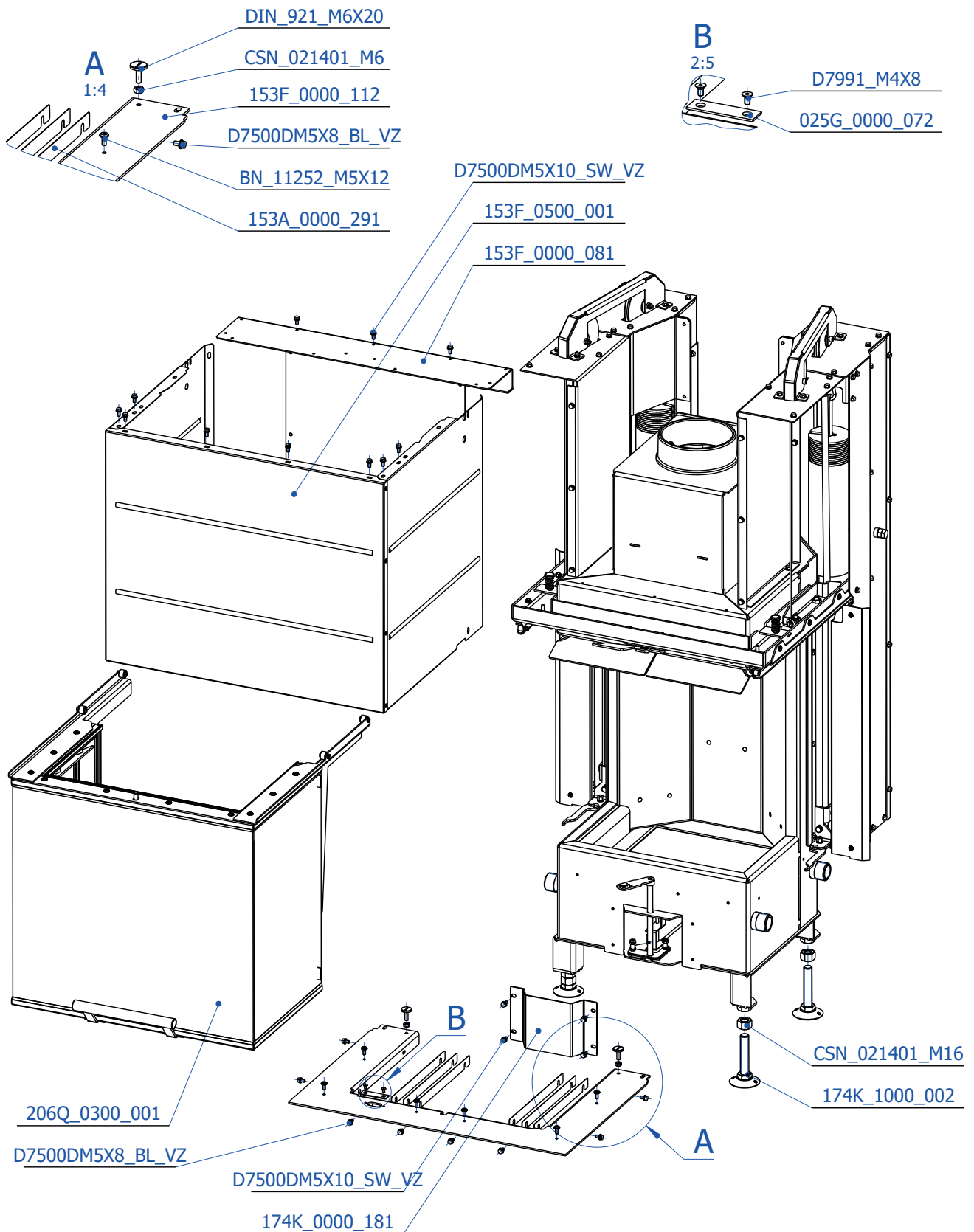
Pos	Description	Nr.
1	Jøtul I 320 FRL	30064761
2	Steel parts, fully packed, Jøtul FS 320 FRL	51064804
3	Surround, mineral parts	50063609
4	Heat shield/convection mantle	50063554
5	Frame, Special slim	50063560

Jøtul FS 320 FRL



Since 1853

SPARE PARTS

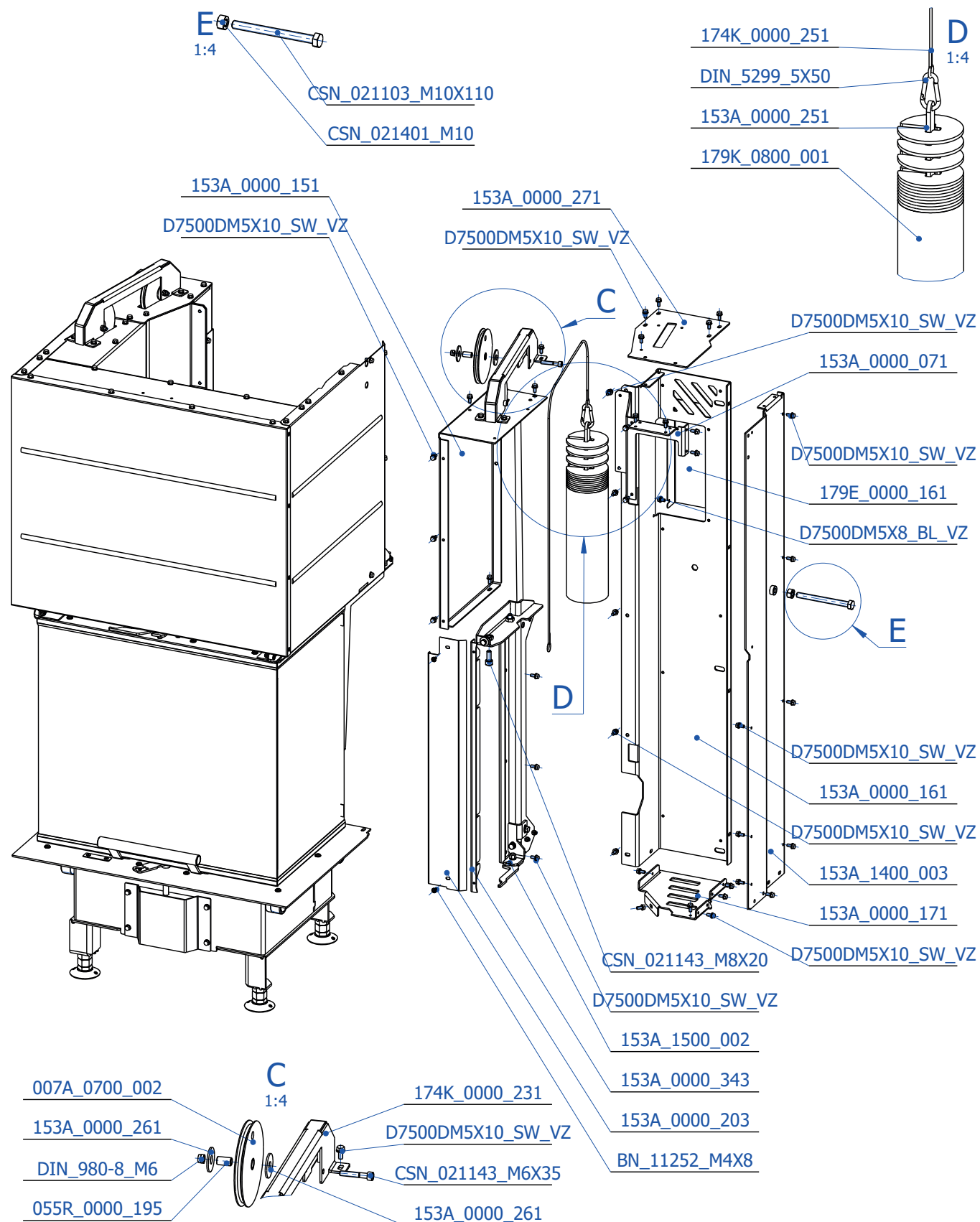


Jøtul FS 320 FRL



Since 1853

SPARE PARTS

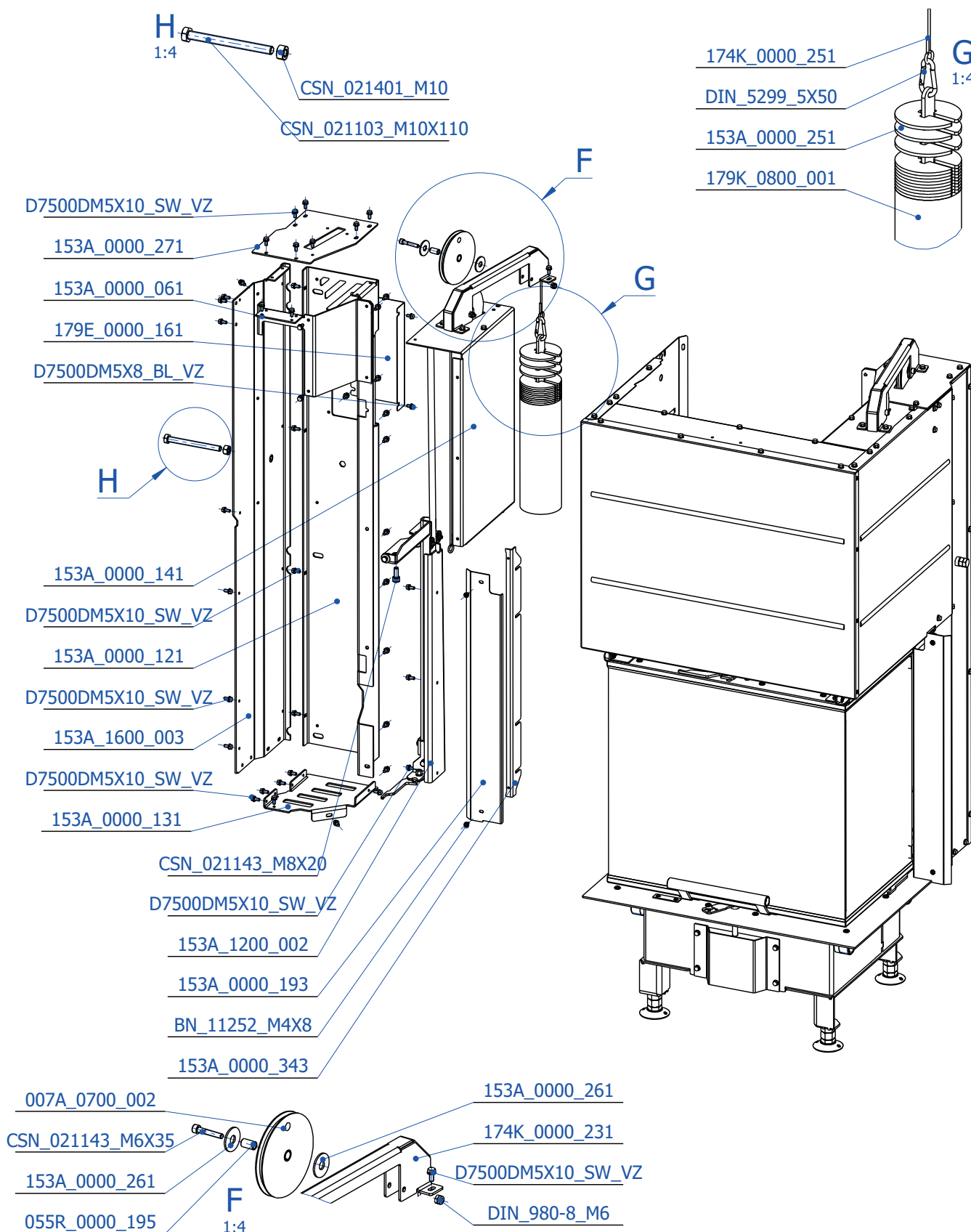


Jøtul FS 320 FRL



Since 1853

SPARE PARTS

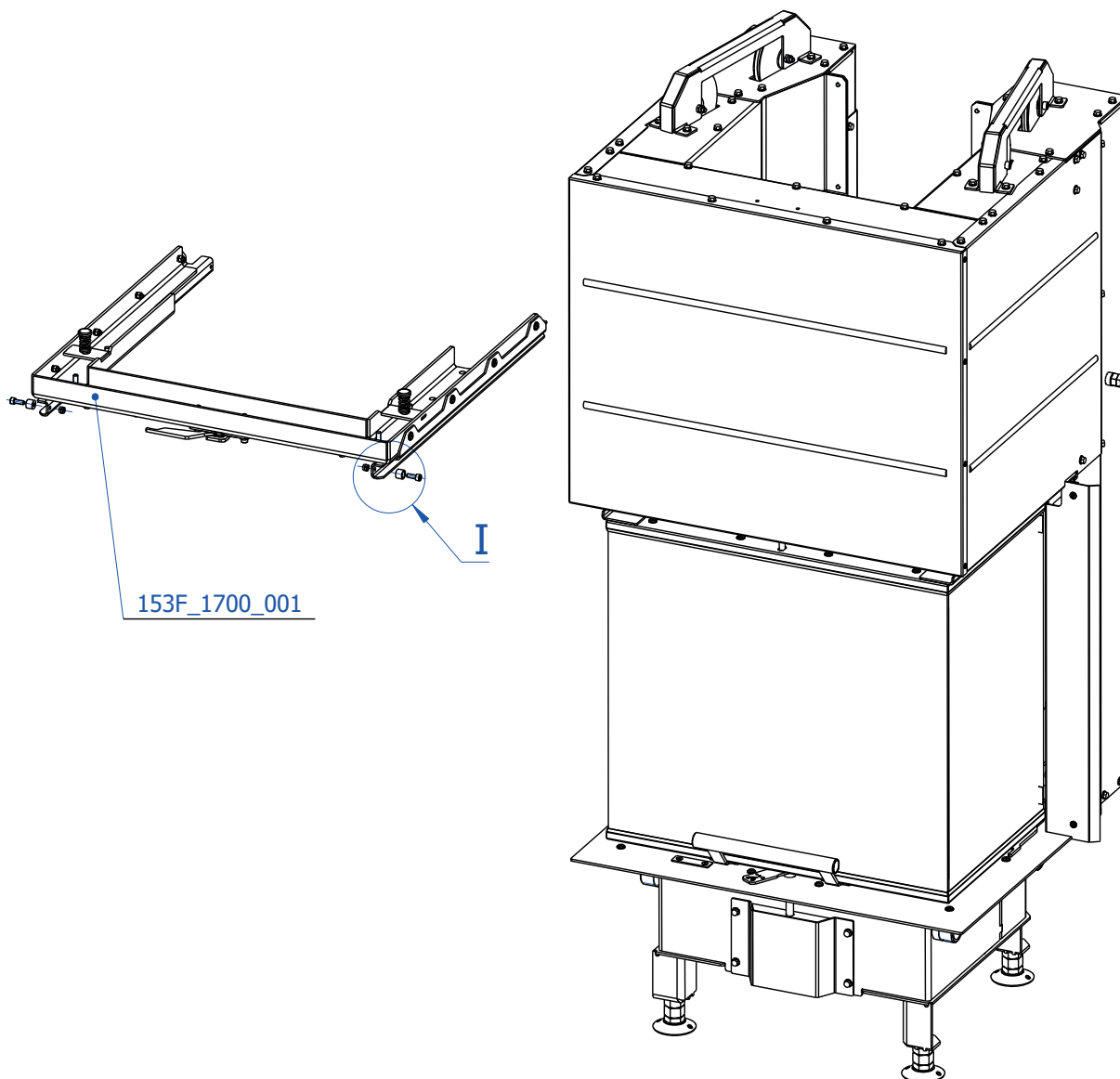
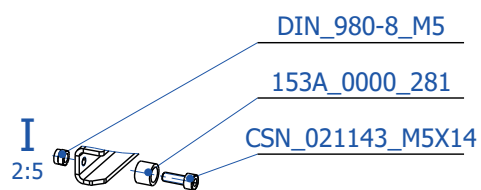


Jøtul FS 320 FRL



Since 1853

SPARE PARTS



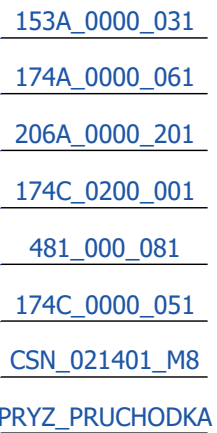
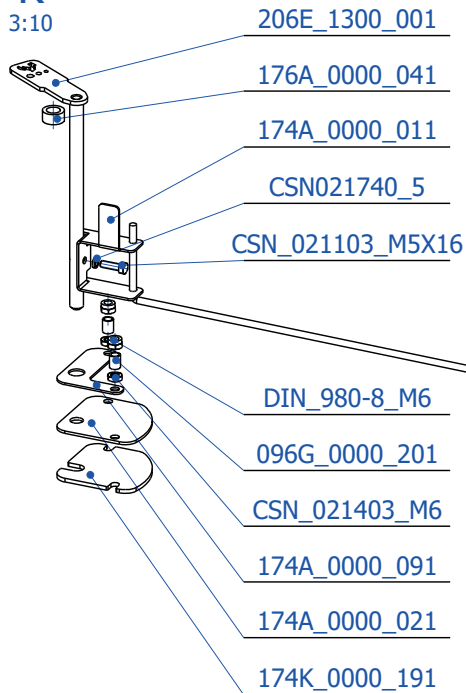
Jøtul FS 320 FRL



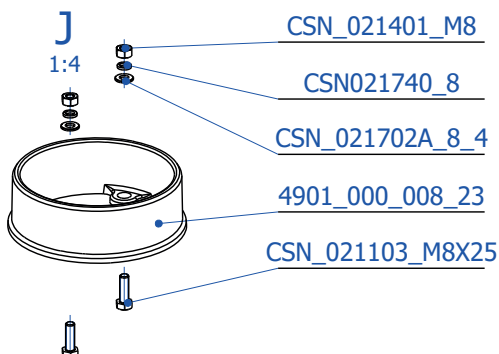
Since 1853

SPARE PARTS

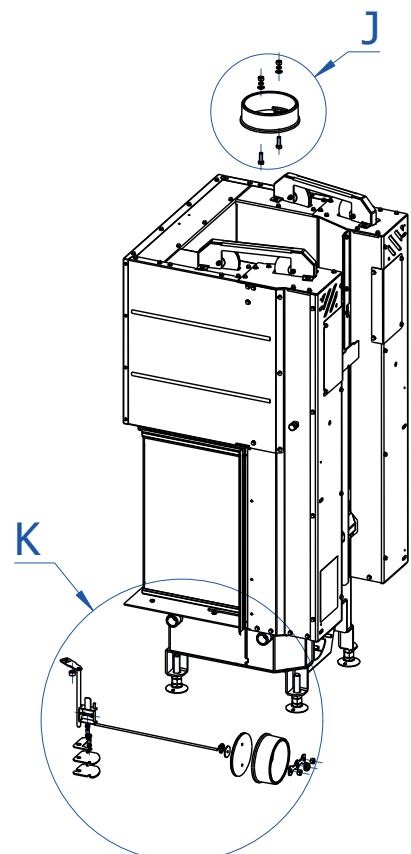
K
3:10



J
1:4



K

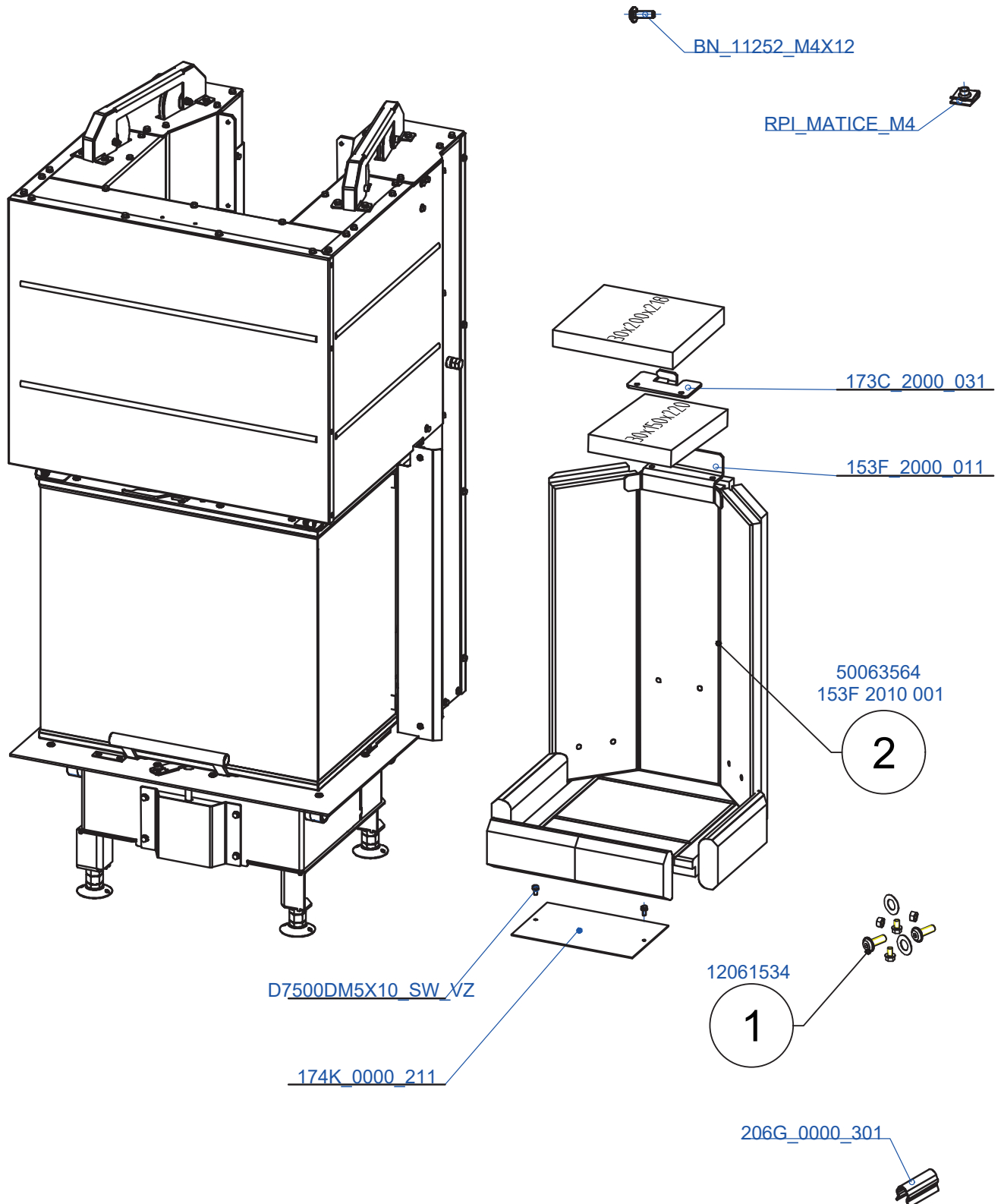


Jøtul FS 320 FRL

SPARE PARTS



Since 1853

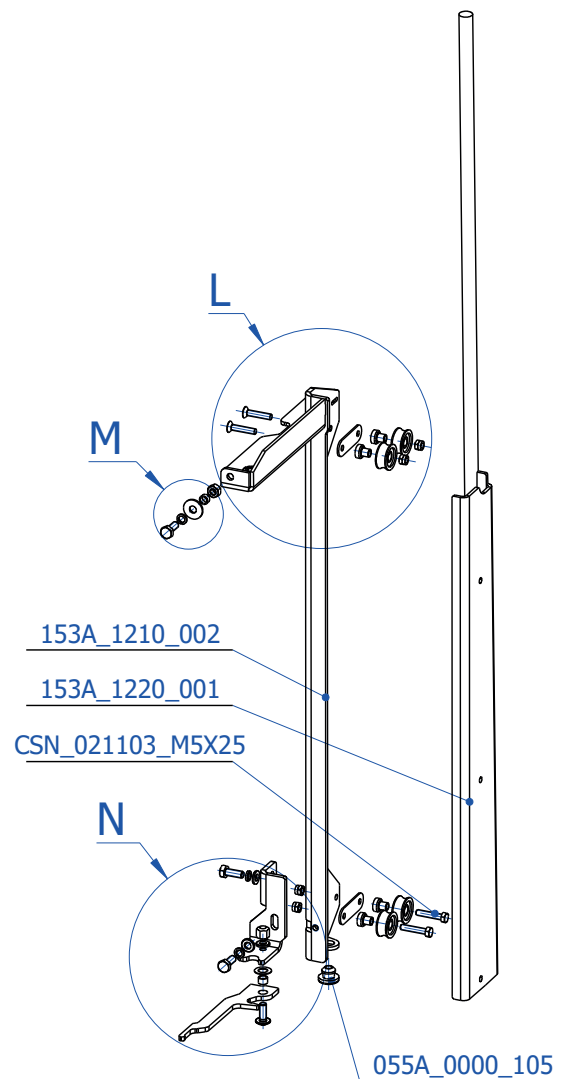
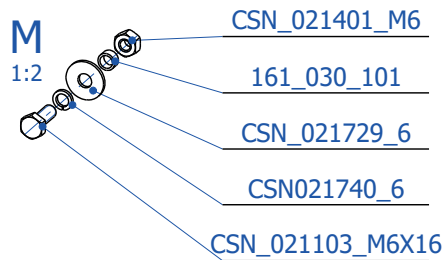
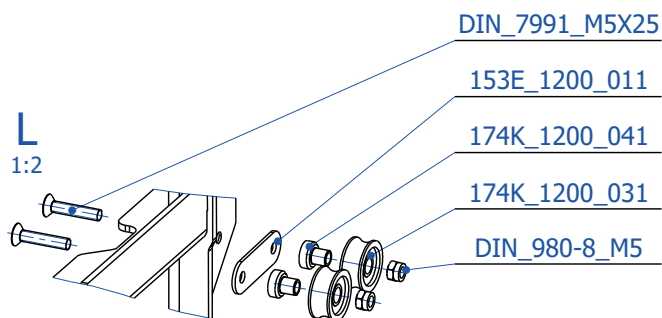
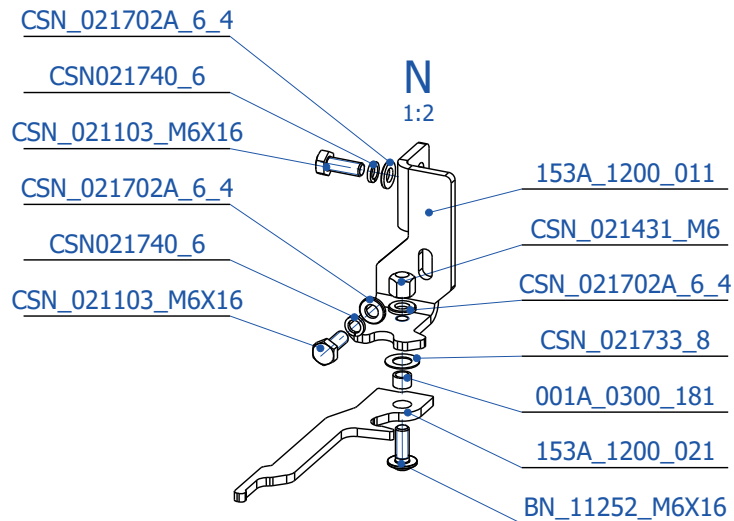


Jøtul FS 320 FRL



Since 1853

SPARE PARTS

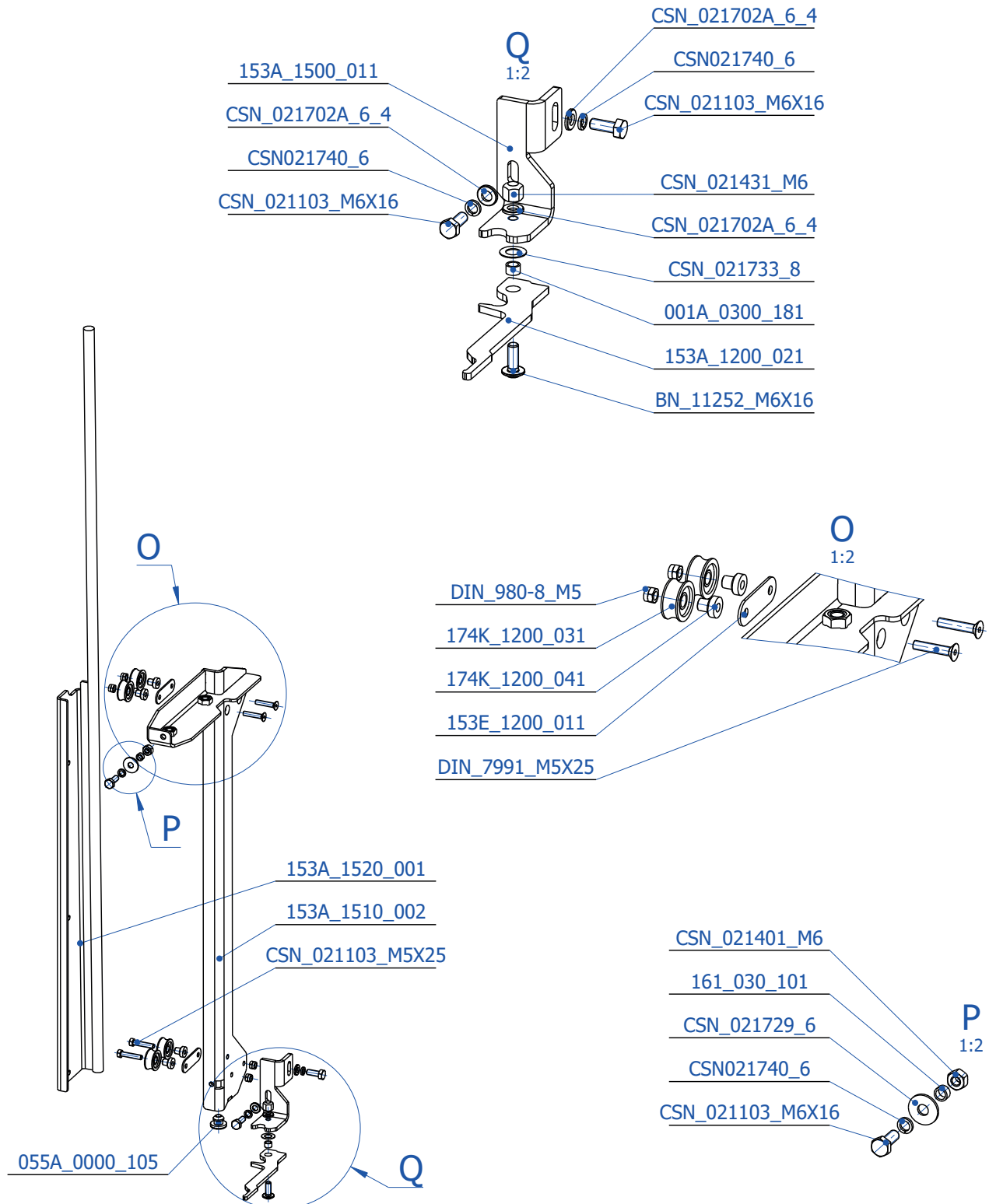


Jøtul FS 320 FRL



Since 1853

SPARE PARTS

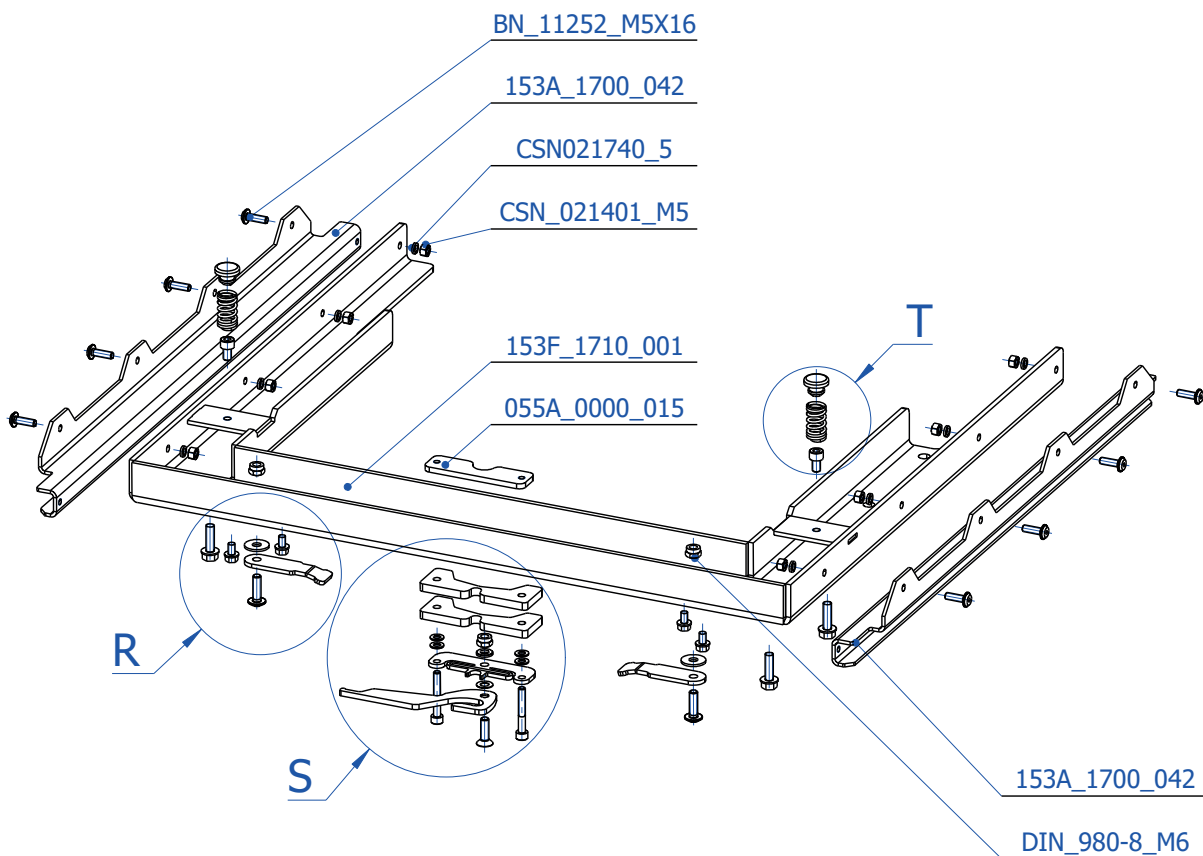
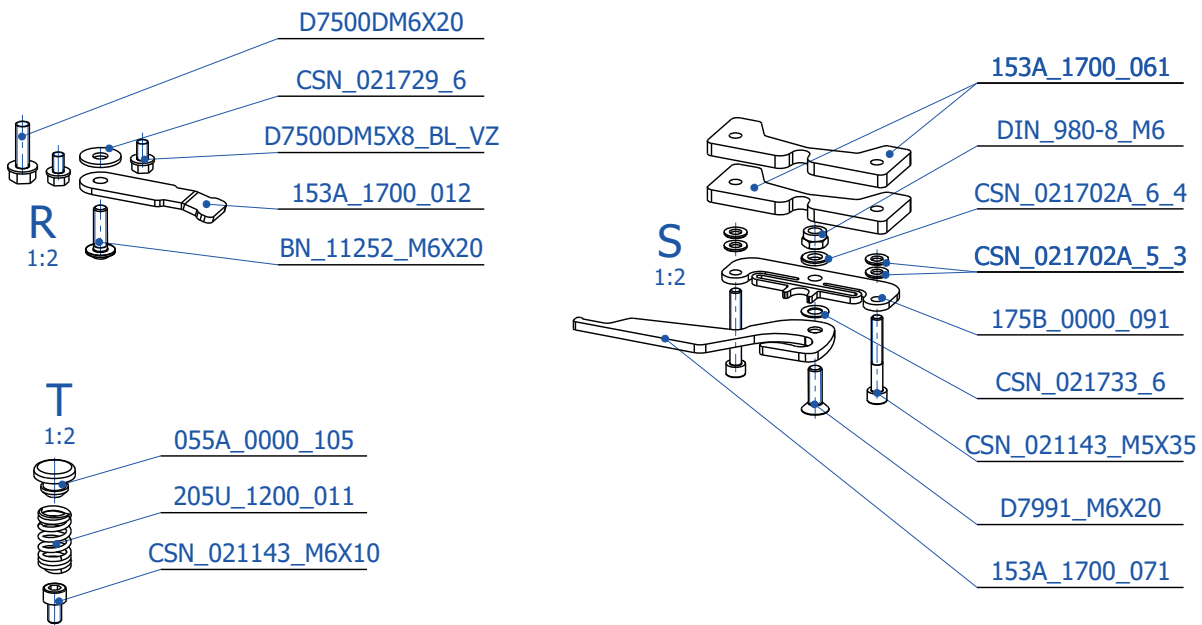


Jøtul FS 320 FRL



Since 1853

SPARE PARTS

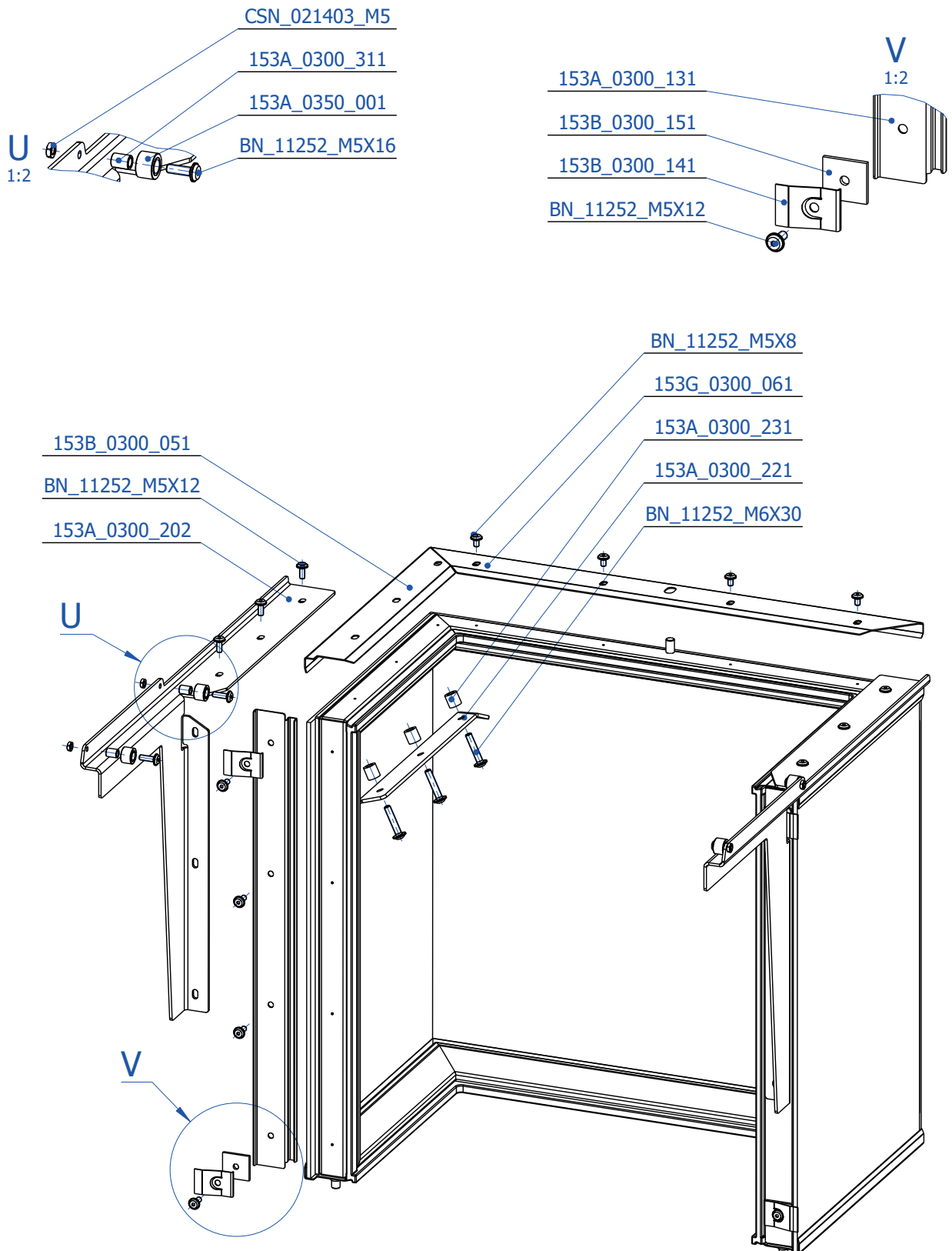


Jøtul FS 320 FRL



Since 1853

SPARE PARTS

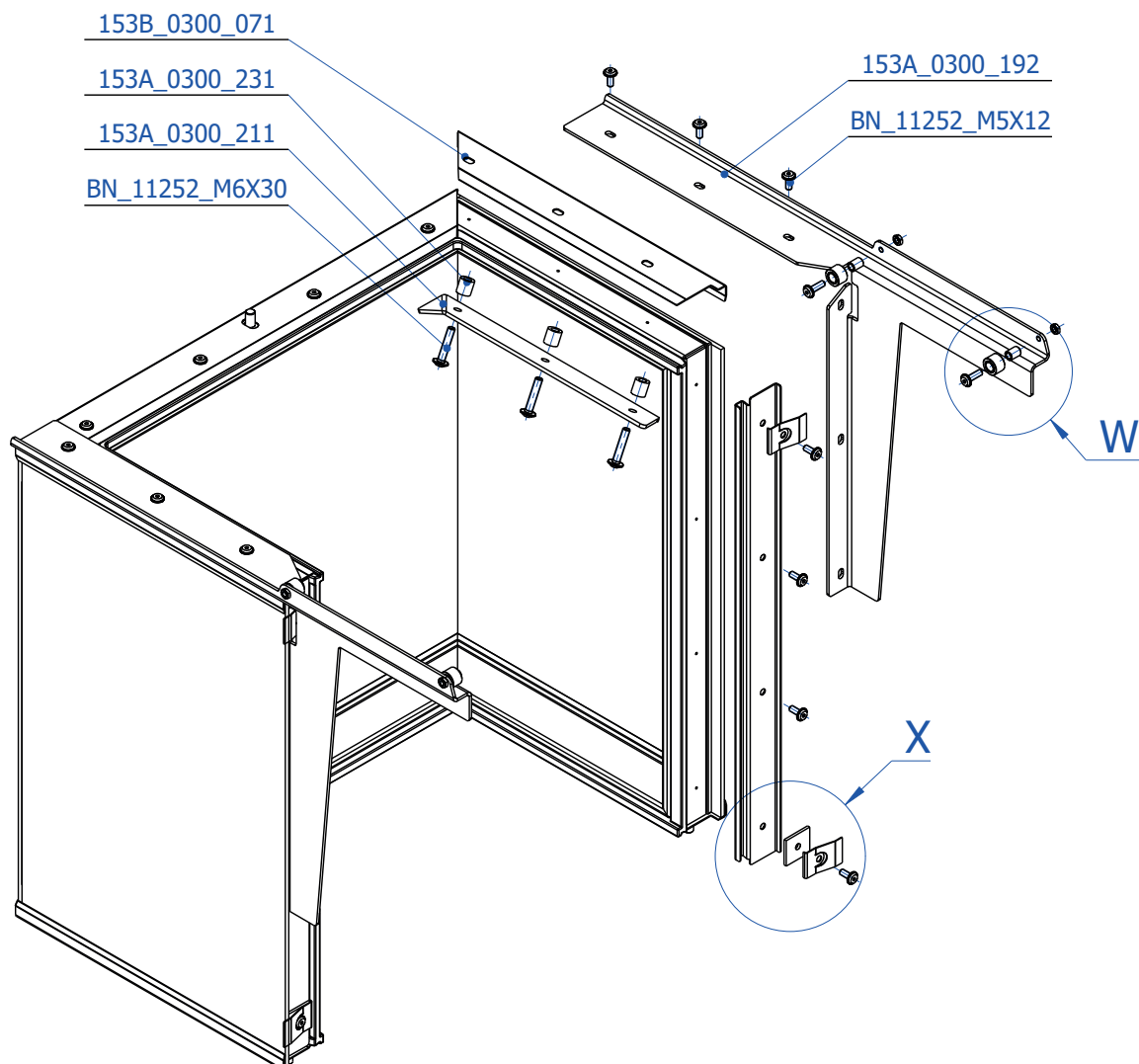
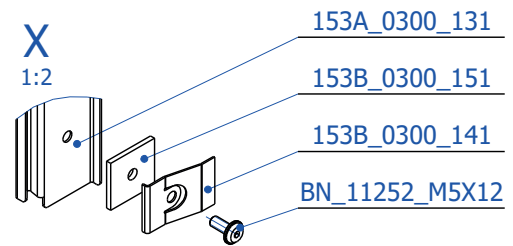
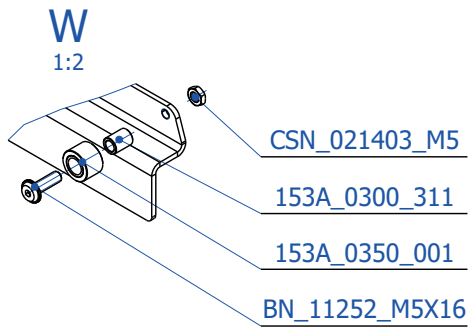


Jøtul FS 320 FRL



Since 1853

SPARE PARTS

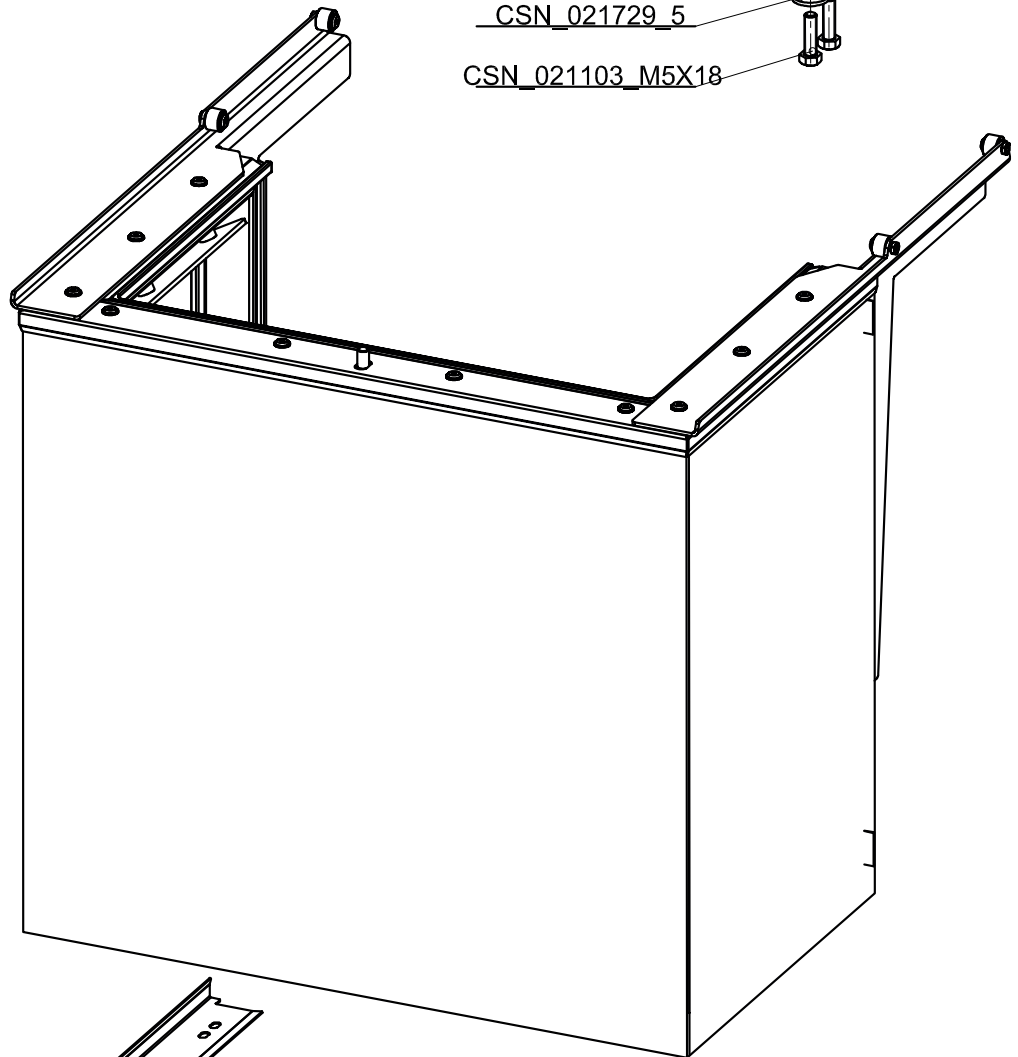
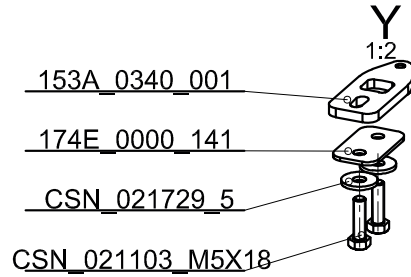


Jøtul FS 320 FRL



Since 1853

SPARE PARTS



153B_0300_081

BN_11252_M5X8

153G_0300_091

BN_11252_M4X12

153B_0300_101

3

50064941

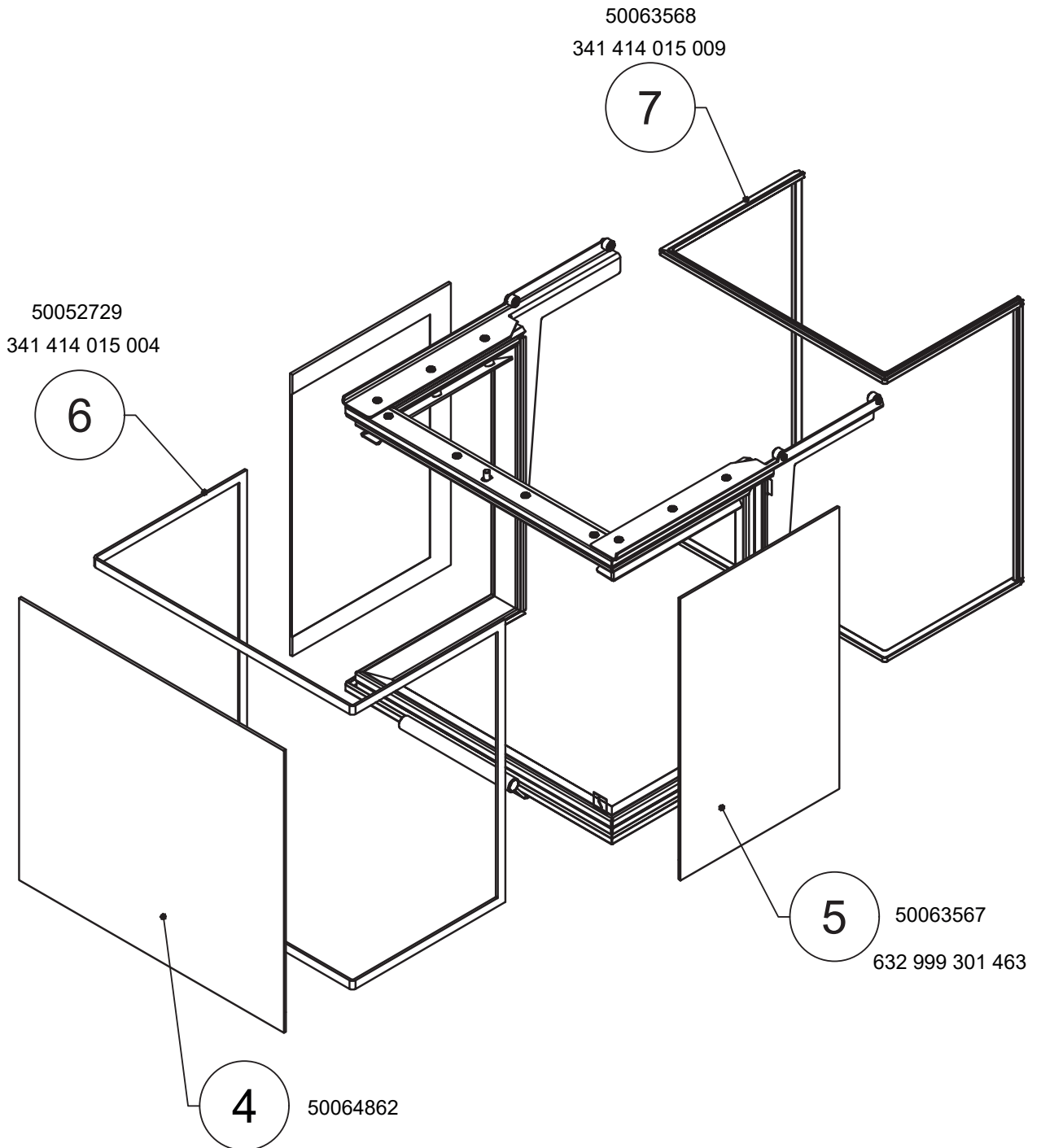
Y

Jøtul FS 320 FRL



Since 1853

SPARE PARTS



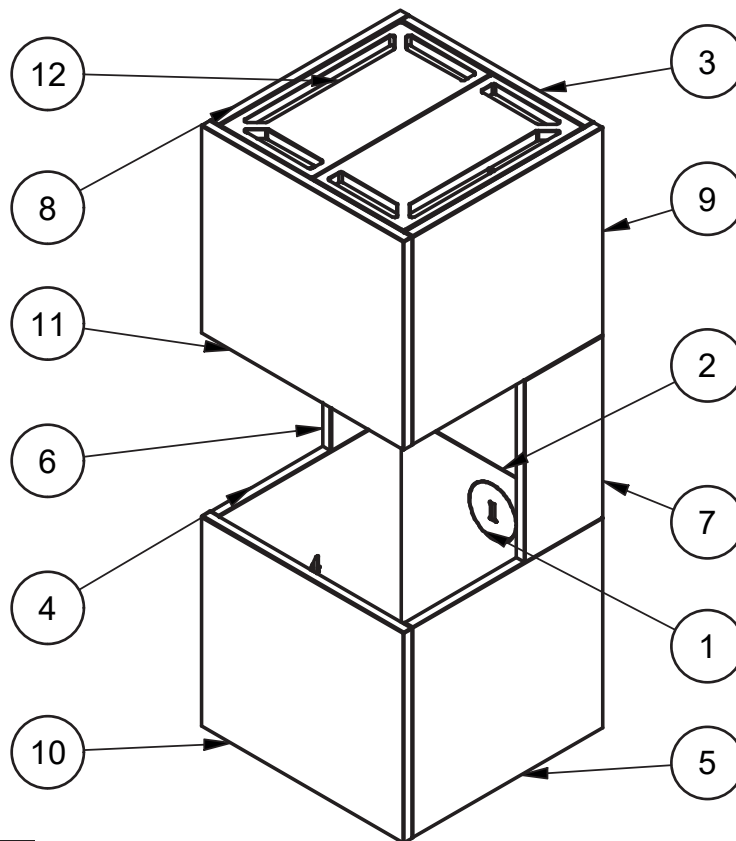
Jøtul FS 320 FRL



Since 1853

SPARE PARTS

Surround, mineral parts
50063609



Pos	Description	Nr.
1	Rear part 1, Surround	
2	Rear part 2, Surround	
3	Rear part 3, Surround	
4	Side part 4, Surround	
5	Side part 5, Surround	
6	Side part 6, Surround	
7	Side part 7, Surround	
8	Side part 8, Surround	
9	Side part 9, Surround	
10	Front part 10, Surround	
11	Front part 11, Surround	
12	Top part 12, Surround	

Jøtul FS 320 FRL

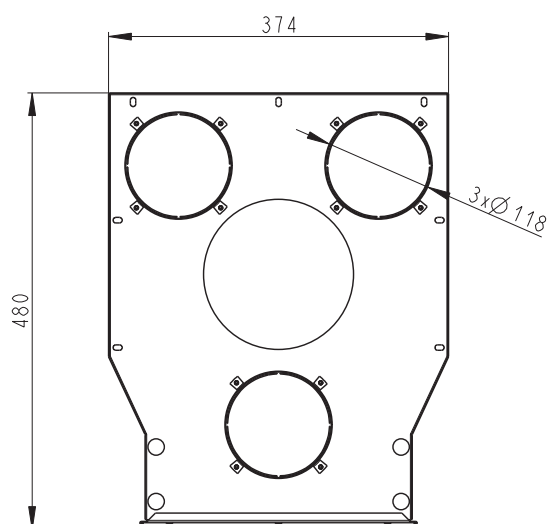
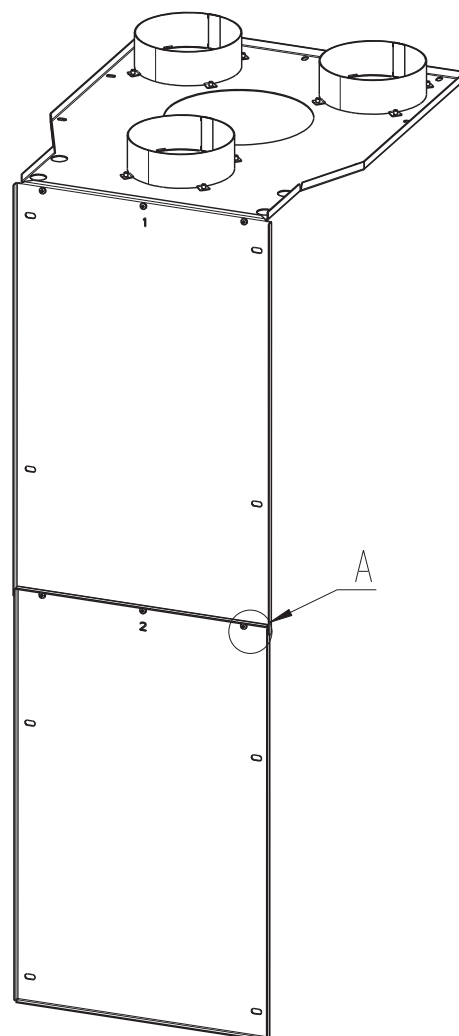
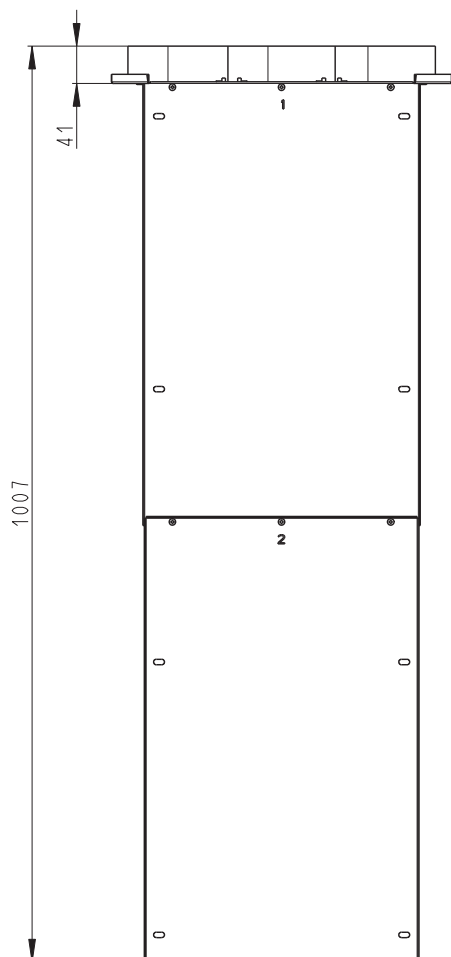


Since 1853

SPARE PARTS

50063554

Convection cover/heat shield



Jøtul FS 320 FRL

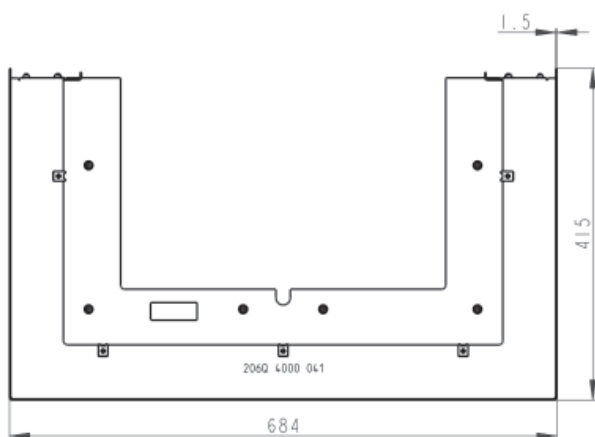
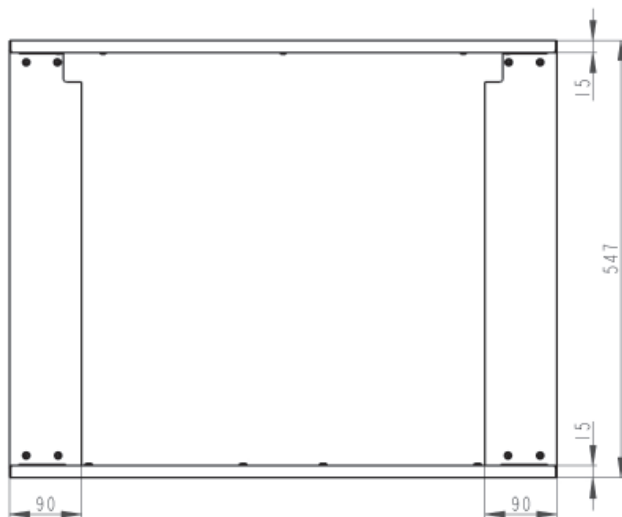
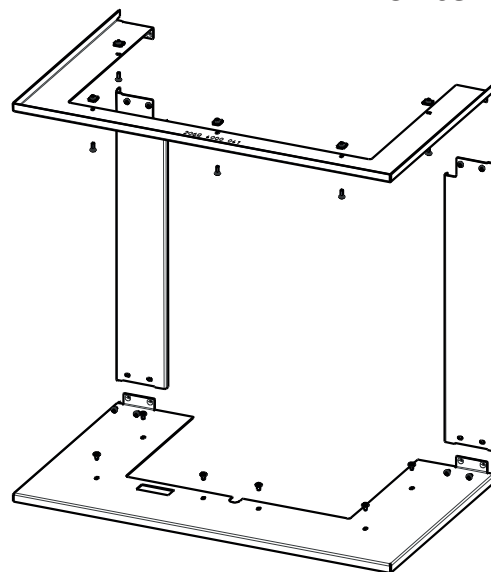


Since 1853

SPARE PARTS

50063560

Frame 2, 90 degree bent, top/back/bottom, narrow



Jøtul FS 320 FRL

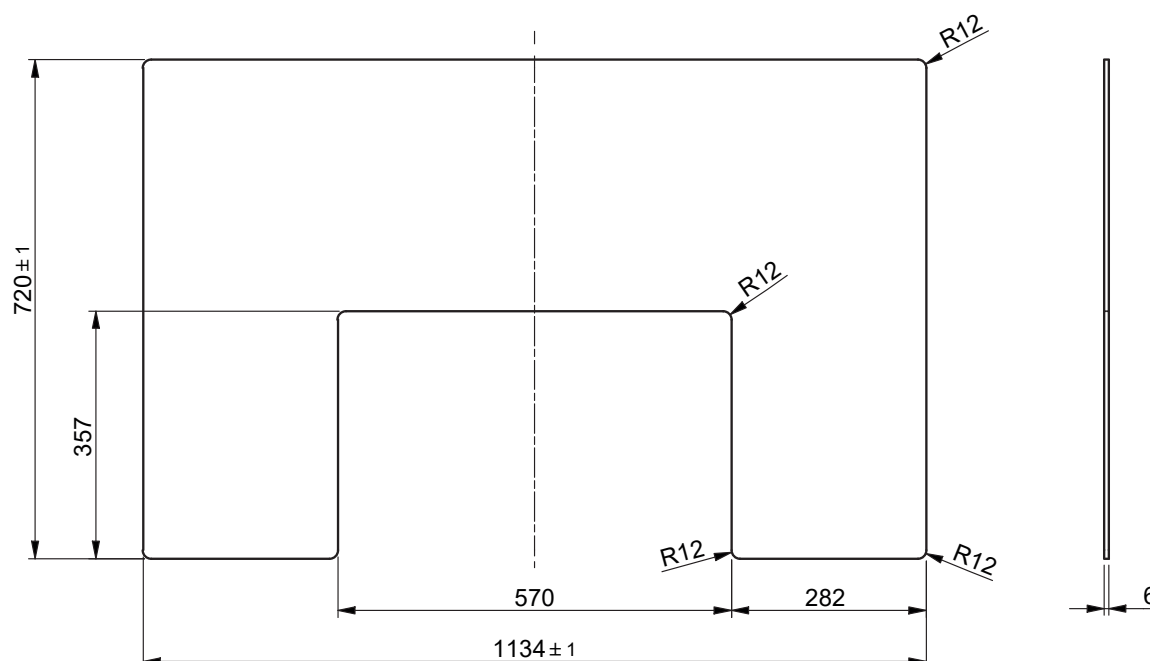
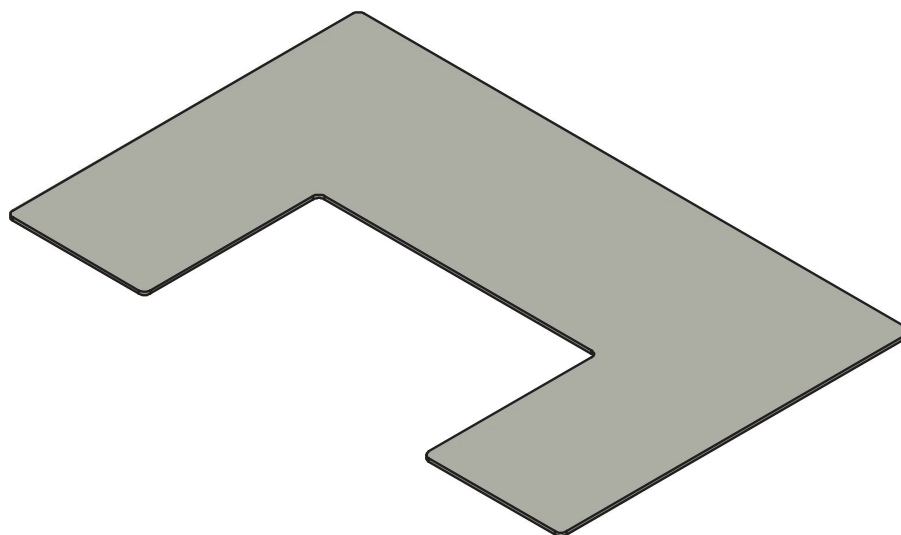


Since 1853

ACCESSORIES

50063561

Glass floor plate, small



Transparent glass, no colour
All edges are to be pencil polished
All not shown tolerances according to DS/ISO 2768-m